

AUXILIARY CONVERTER
DRIVEN MR BLOWER AND
SCAVANGE TO MR BLOWER



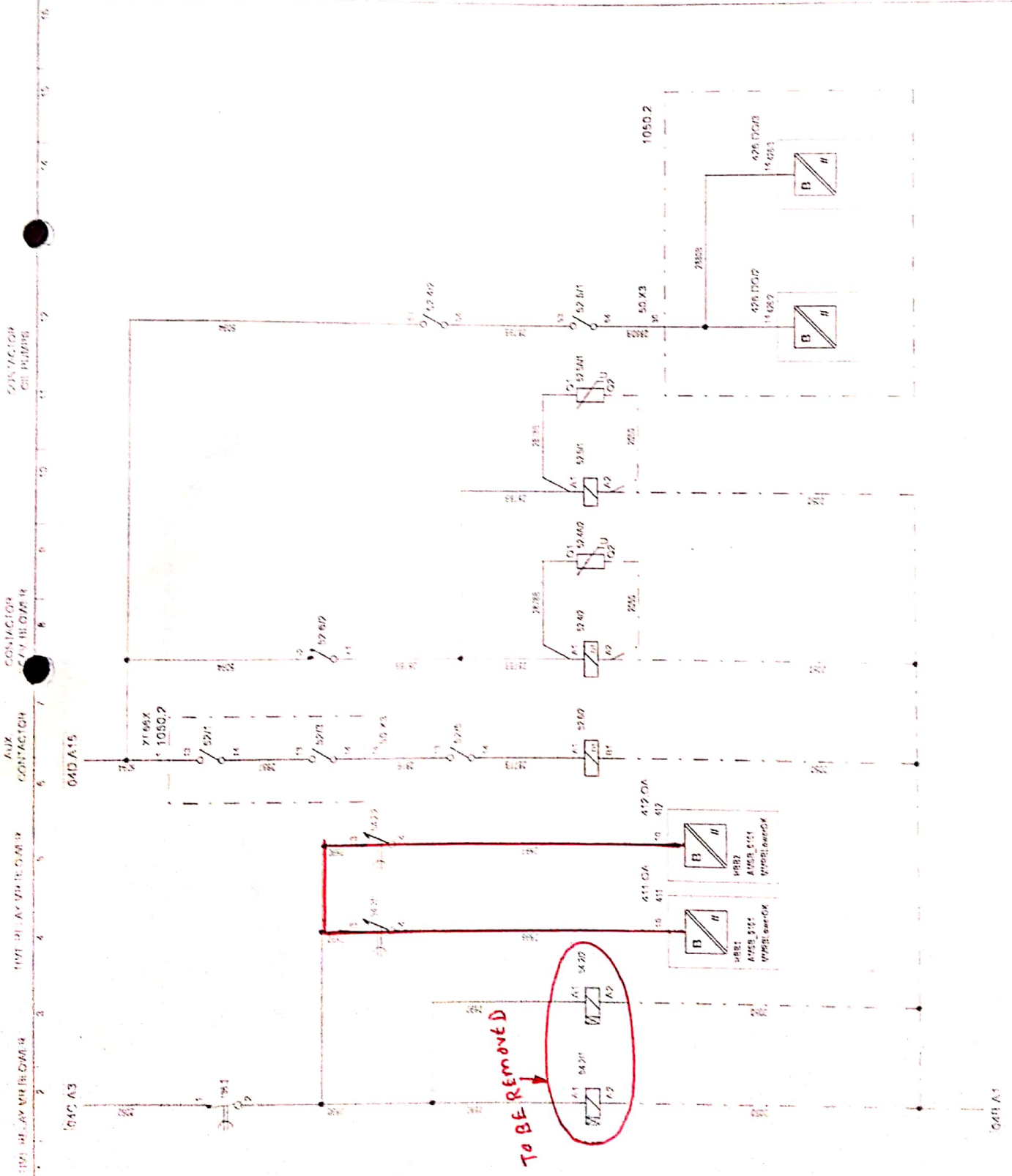
CHITTARANJAN LOCOMOTIVE WORKS
Chittaranjan
CENTRE FOR DESIGN AND DEVELOPMENT

| POSITION | FUNCTIONAL DESCRIPTION | REV. NO. |
|----------|--------------------------------|----------|
| 54.01 | CONNECTION FOR ELECTRIFICATION | 001 |
| 54 | CONNECTION FOR POWER | 001 |
| 54.1 | CONNECTION FOR SIGNAL | 001 |
| 54.2 | CONNECTION FOR TELEPHONE | 001 |
| 54.3 | CONNECTION FOR WATER | 001 |
| 54.4 | CONNECTION FOR TELEVISION | 001 |
| 54.5 | CONNECTION FOR RAILWAY | 001 |
| 54.6 | CONNECTION FOR SIGNAL | 001 |
| 54.7 | CONNECTION FOR TELEPHONE | 001 |
| 54.8 | CONNECTION FOR WATER | 001 |
| 54.9 | CONNECTION FOR TELEVISION | 001 |
| 54.10 | CONNECTION FOR RAILWAY | 001 |
| 54.11 | CONNECTION FOR SIGNAL | 001 |
| 54.12 | CONNECTION FOR TELEPHONE | 001 |
| 54.13 | CONNECTION FOR WATER | 001 |
| 54.14 | CONNECTION FOR TELEVISION | 001 |
| 54.15 | CONNECTION FOR RAILWAY | 001 |

INDIAN RAILWAYS WAG-9 (COCC)



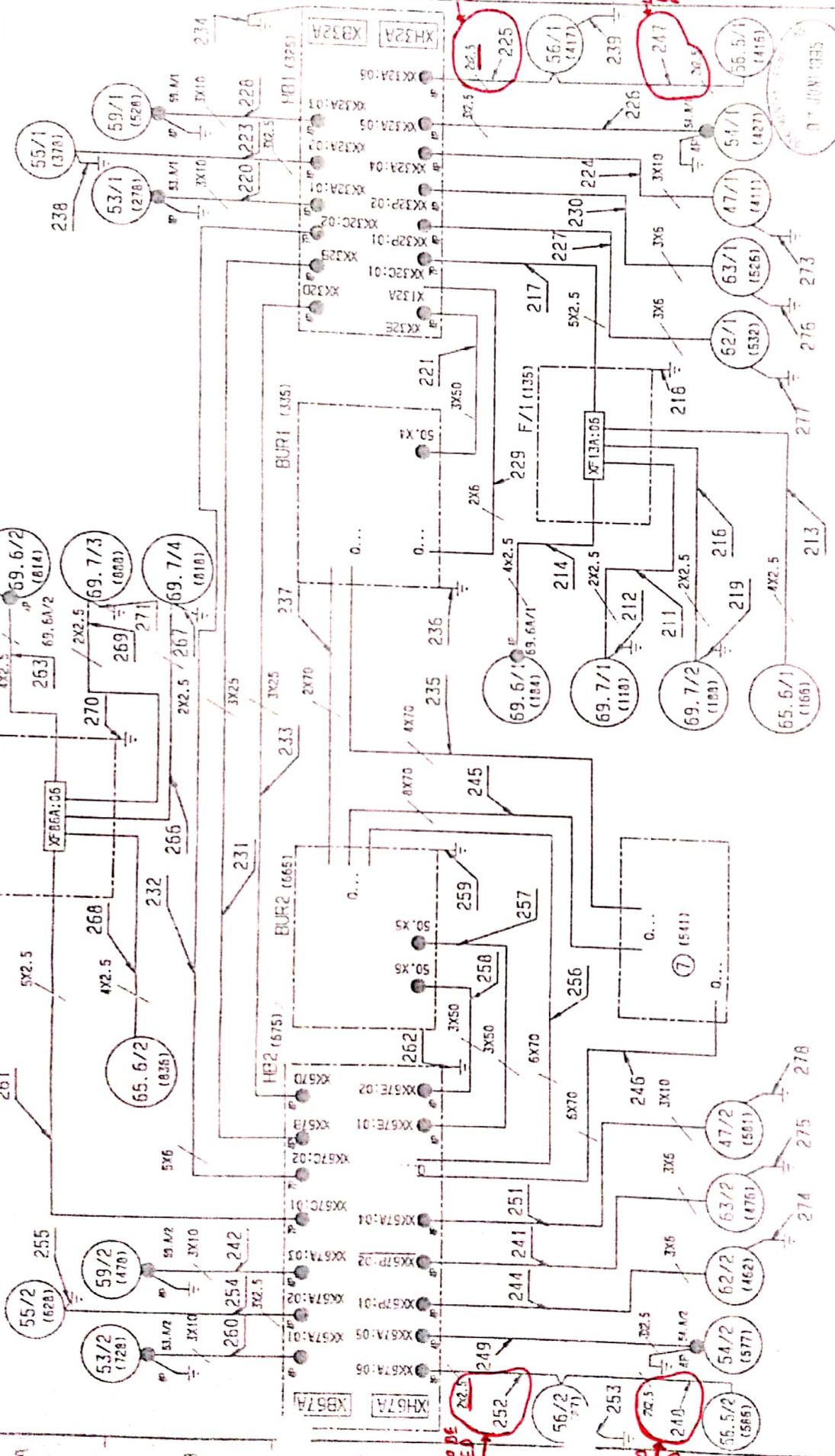
CHITTARANJAN LOCOMOTIVE WORKS
Chittaranjan
CENTRE FOR DESIGN AND DEVELOPMENT



3EHP281145

List of parts see 3EHP431512R201...203

R200



LOOM TO BE MODIFIED WITH 3X 2.5

LOOM TO BE REMOVED

LOOM TO BE MODIFIED WITH 3X 2.5

LOOM TO BE REMOVED

3EHP330302

07 JUN 1995

THE CABLING AUXILIARY CIRCUIT

3EHP330302

All rights reserved. Reproduction, modification, use or disclosure in third parties without express authority is strictly forbidden. © 1995 Transmation Systems Ltd.