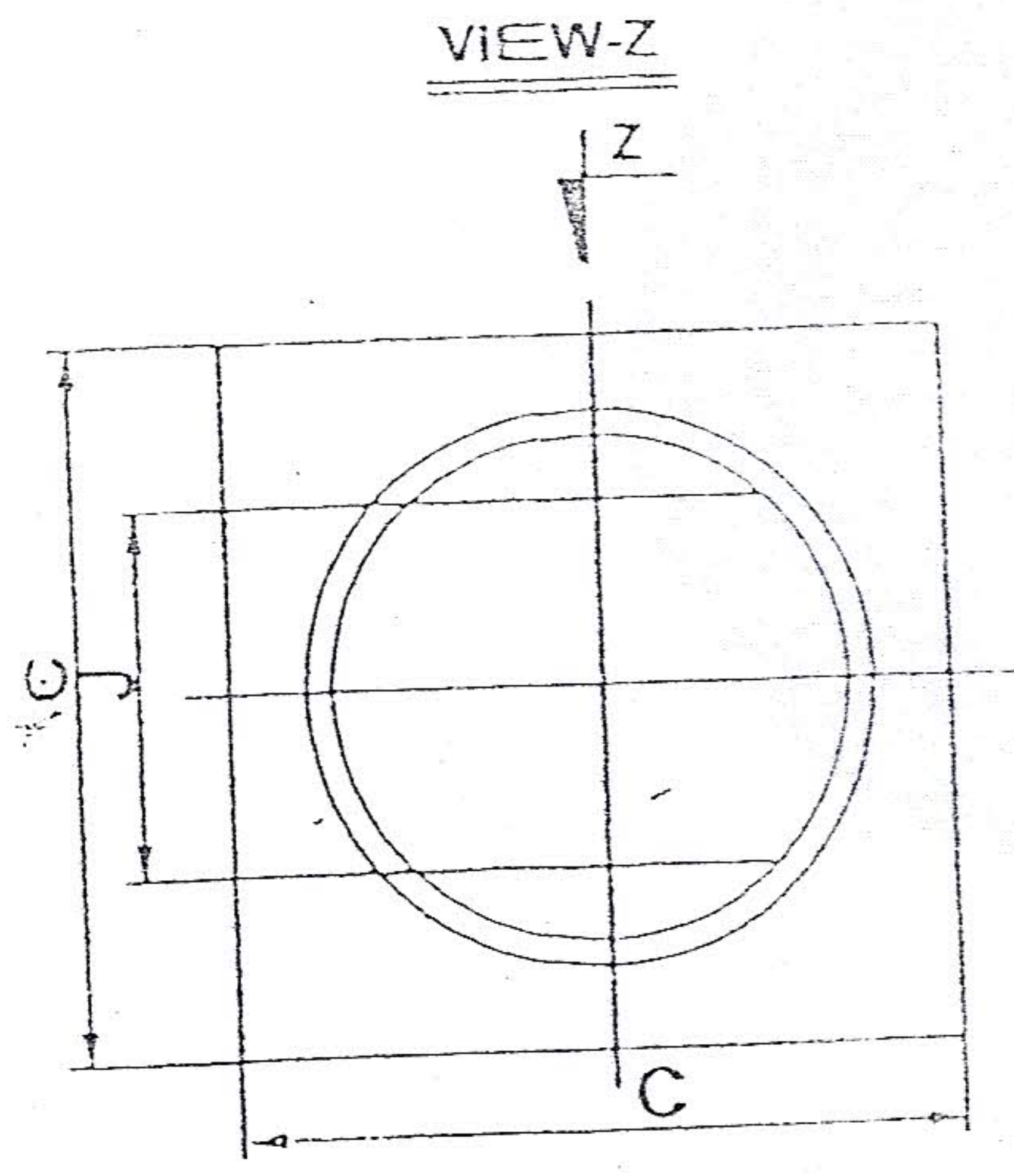
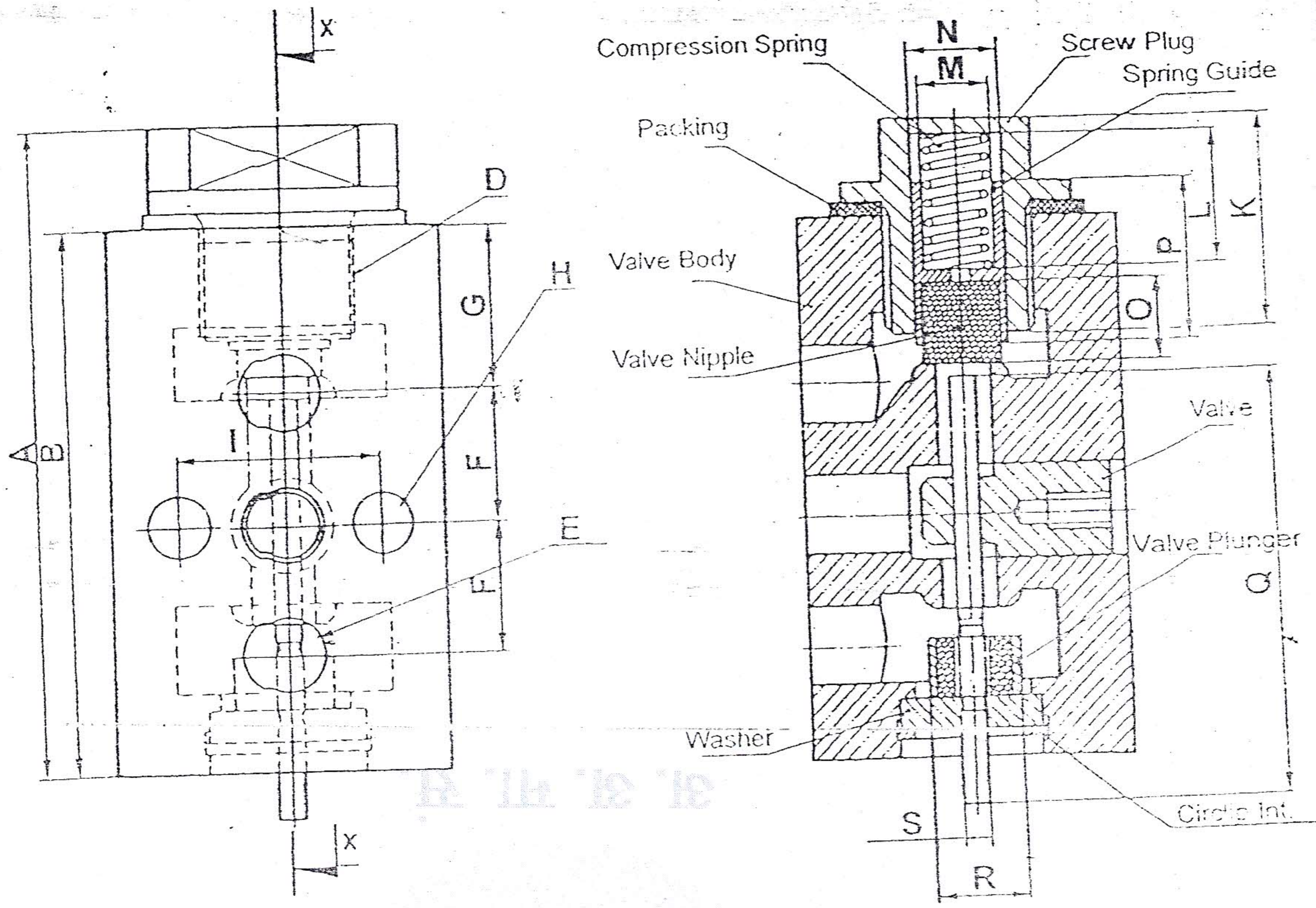


STATUS	ALT.	REF. NO.	DESCRIPTION	APP. BY	DATE
	1		In Sheet 2 Dim. changed 2'O'K 2'R' 2'O: $9 \pm 0.015 / \pm 0.016 \rightarrow 9.1 \pm 0.1 / 0.0, 2 R: \phi 10 \pm 0.1 \rightarrow \phi 10 \pm 0.2$	<i>[Signature]</i>	Dec 03



REF. NO.	PART. NO.	DESCRIPTION	DETAILED REF. NO.	ISS.	DATE	BY
REF:						
3-WAY VALVE MG 6/6A OEM PART NO. A-32			SCALE:	APPROVED BY: <i>[Signature]</i>		
			FIRST DRAFT			
			SUPPORTIVE			
RDSO ELEC DTE			SKEL-46335		APPROVED BY:	
			SHEET 1 of 2			

Dt.	03.8.2002
D	AJA
T	
E	<i>[Signature]</i>

