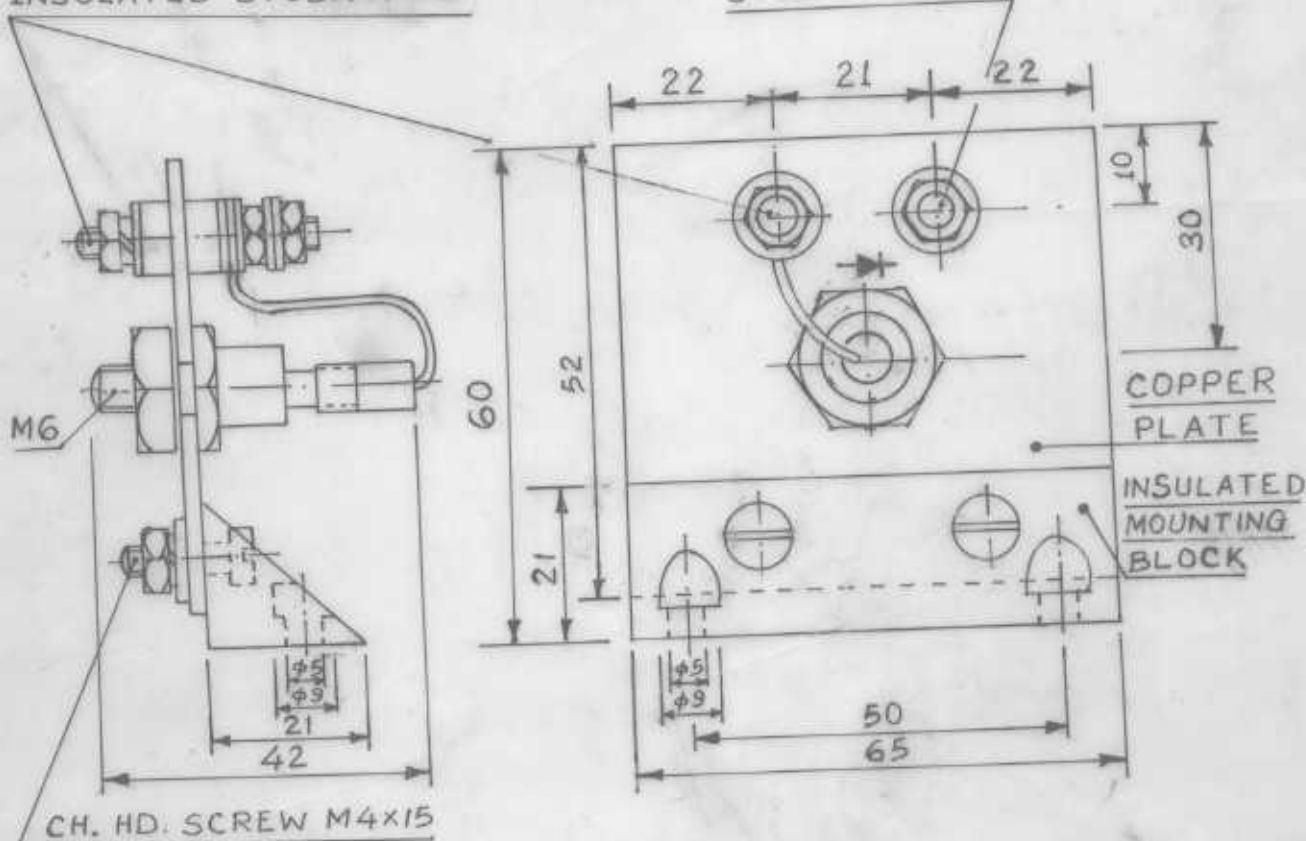


INSULATED STUD M4x32

STUD M4x32



TYPE - A

CHARACTERISTIC OF EACH DIODE

NORMAL VOLTAGE - 400 V.

PEAK INVERSE VOLTAGE - 1000V.

NORMAL CURRENT - 10 AMPS.

MARKINGS :-

The manufacturer shall engrave/emboss/imprint/stencil permanent identification marks at a conspicuous place indicating:-

1. Manufacturer's Name/Brand name or Monogram if any.
2. Year & month of manufacture.

B	DY.C.E.E./D	P.I.V. INCREASED FROM 800V. TO 1000V.	SD/-	10-5-72	
A	DY.C.E.E./D	"MARKINGS" INCLUDED	SD/-		
ALT. NO.	AUTHORITY	DESCRIPTION	INITIAL	DATE	REM.

CHITTARANJAN LOCOMOTIVE WORKS
WEST BENGAL, INDIA.

NO. CLW/ES/SK-1/D-1/B
DATE JUNE 1972.

Sd/-
F.DY. C.E.E.(D)

BLOCKING DIODE

TRACED

CHKD.
S. Mide
DRN.