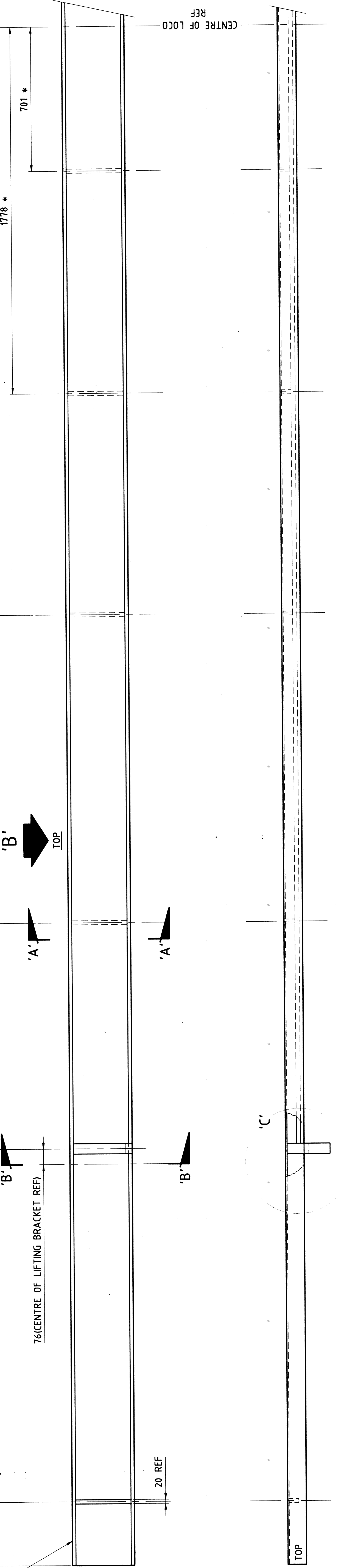


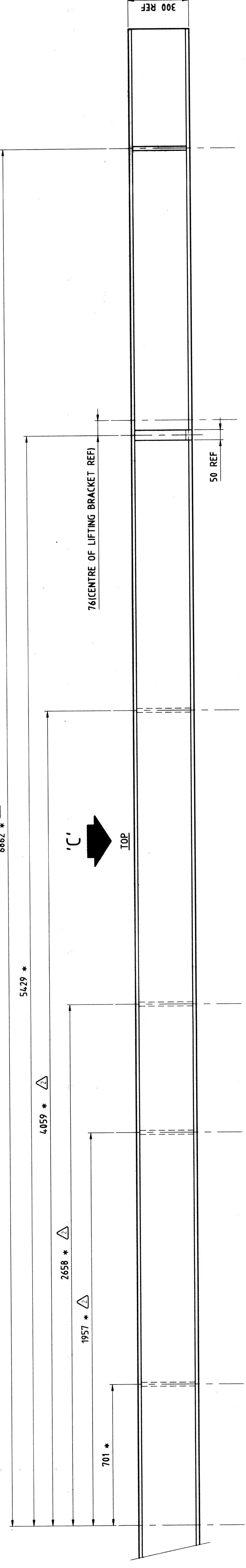
1
2
3
4
5
6
7
8
9
10
11
12
13
14
15
16

14995 REF ALLOWANCE FOR SHRINKAGE AND TRIMMING
7139 * Δ

NOTE: METAL STAMP BOTH ENDS
"TOP" - 12.5mm LETTER HEIGHT

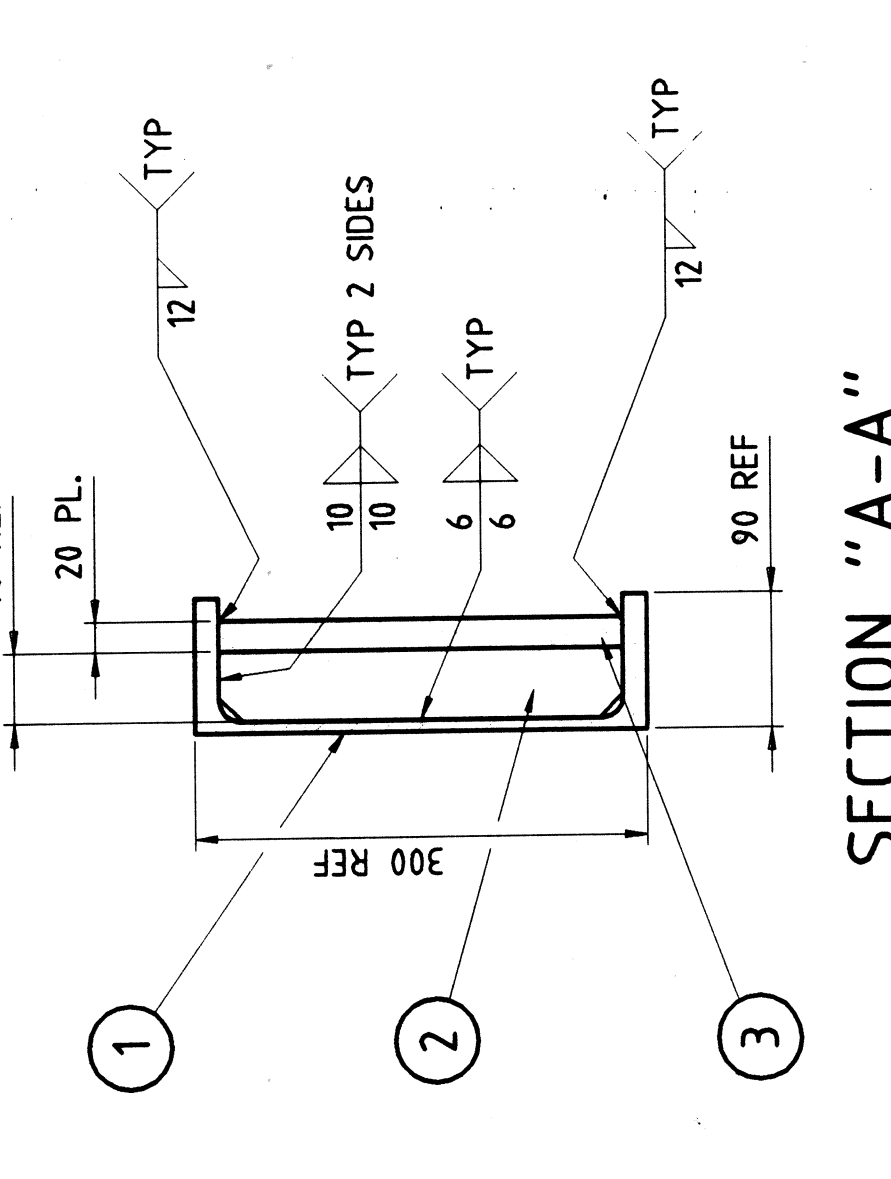


VIEW 'B'
SCALE 1:10

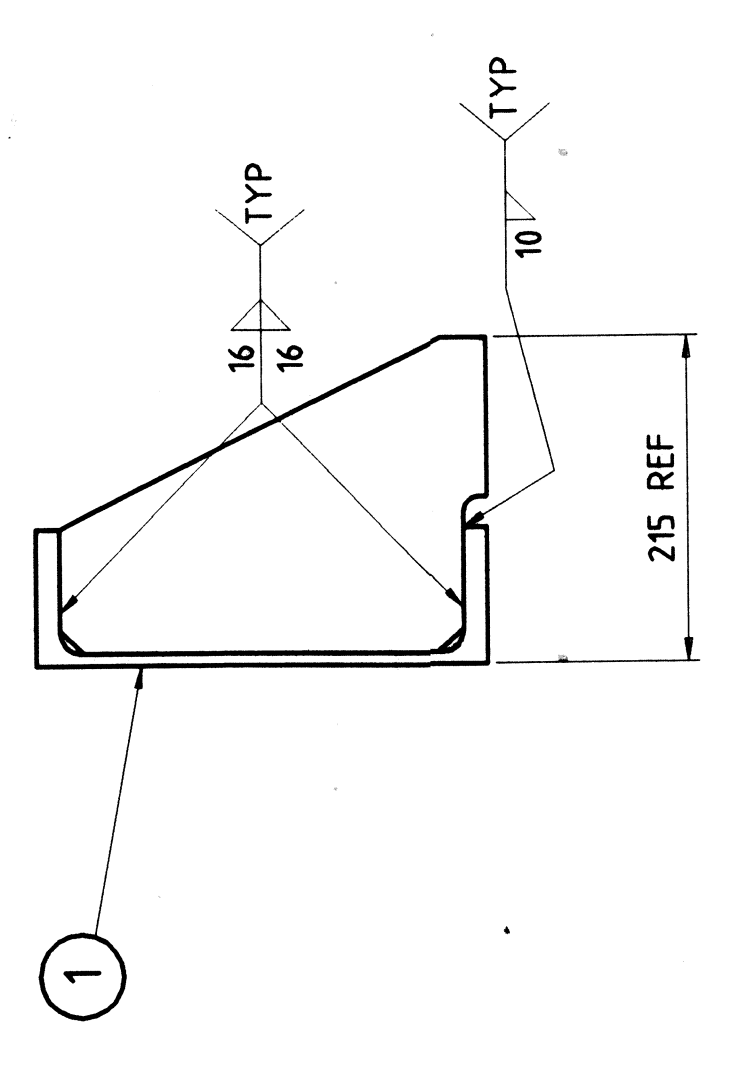


VIEW 'C'
SCALE 1:10

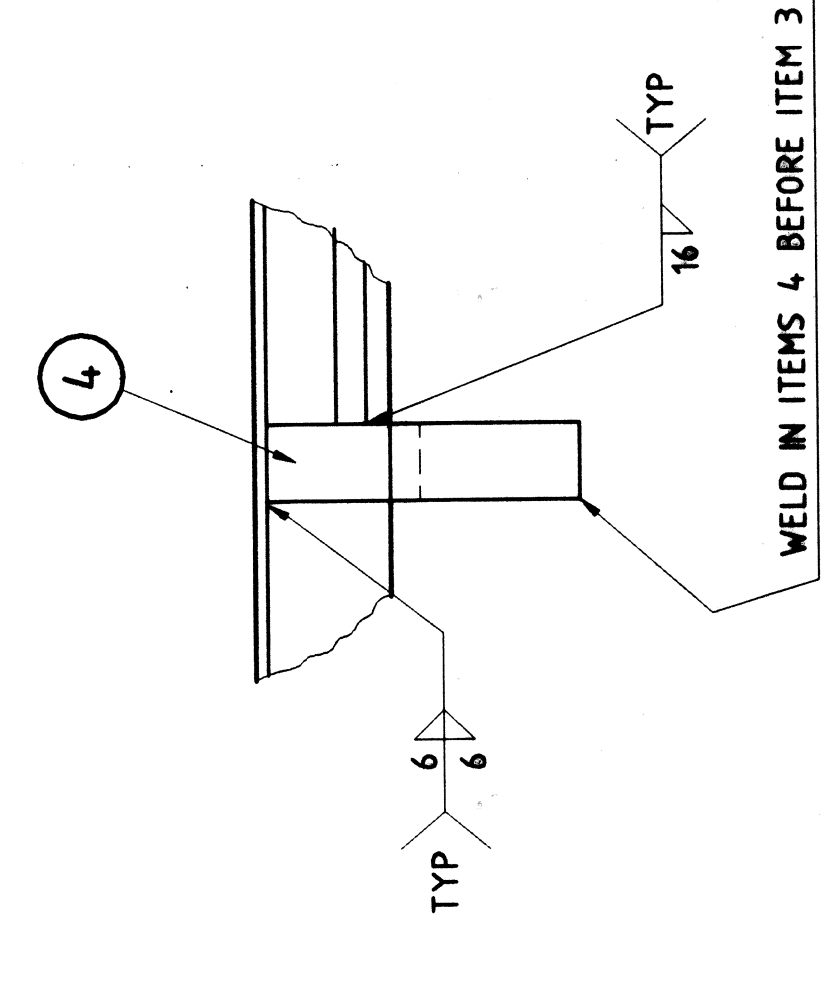
DO NOT SCALE. IF IN DOUBT ASK.
REMOVE ALL BURRS & SHARP EDGES



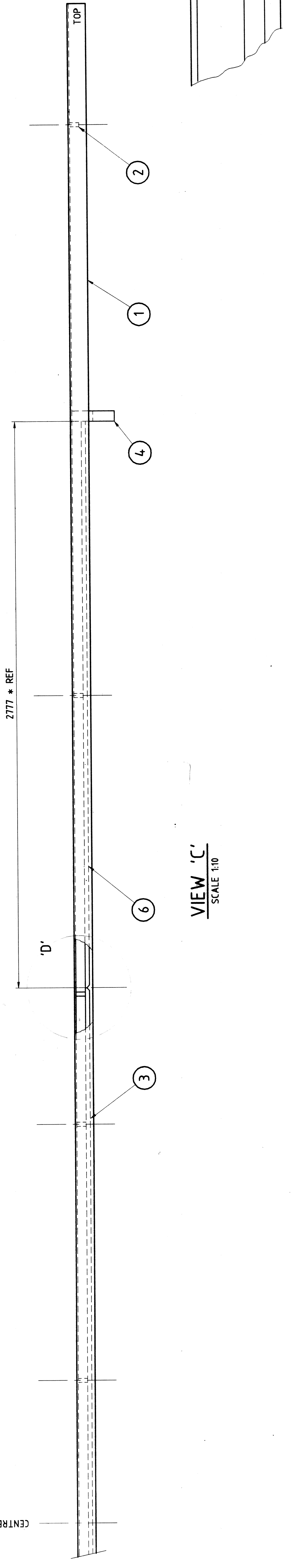
SECTION "A-A"
SCALE 1:5



SECTION "B-B"
SCALE 1:5



DETAIL 'C'
SCALE 1:5
TYP BOTH ENDS



DETAIL 'D'
SCALE 1:2

NOTES 1. WELDING SHALL BE IN ACCORDANCE WITH AS1554.1-1991 SP.
2. (*) INCLUDES ALLOWANCE FOR SHRINKAGE ONLY.

ITEM NO	DESCRIPTION	QTY	UNIT	PRICE	TOTAL
1	GUSSET SIDE SILL	1	116.0		
2	GUSSET LIFTING BRACKET	2	16.0		
3	GUSSET SIDE SILL	1	135.4		
4	GUSSET SIDE SILL	1	1.9		
5	SIDE SILL	1	597.7		

TRANSFER OF TECHNOLOGY
ISSUE
DATE 31 DEC 1995

ABB Transportation Pty Limited
18021-00346
SIDE SILL ASSEMBLY

TEST REPORT NO: 18021-00346-01
TEST REPORT DATE: 18 DEC 1995
TEST REPORT BY: [Signature]
TEST REPORT FOR: [Signature]

TYPE OF TEST/REPORT: YES NO
WELDING: YES NO
MECHANICAL: YES NO
ELECTRICAL: YES NO
OTHER: YES NO