

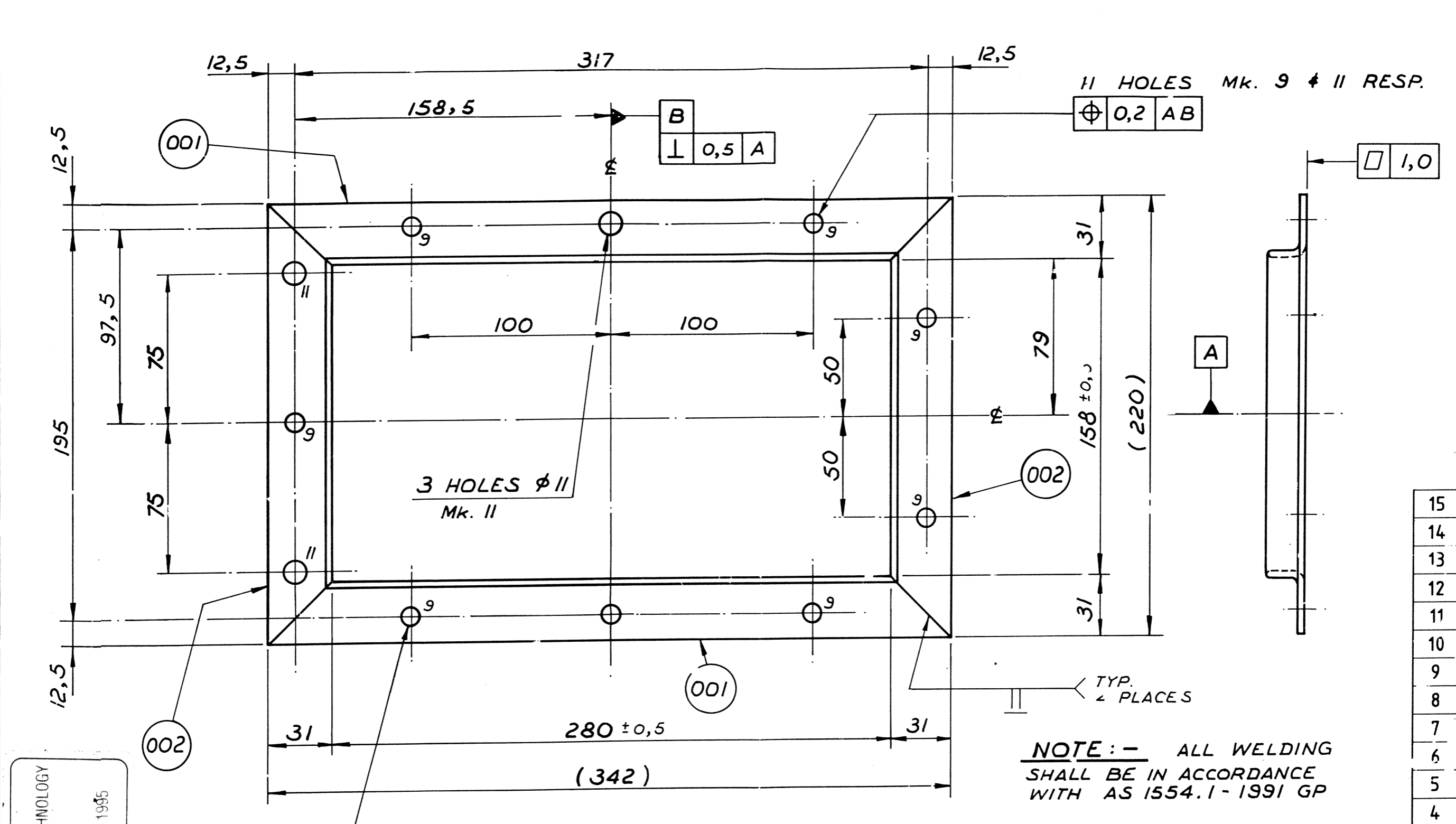
As the drawing incorporates confidential information of ABB, its disclosure to third parties also requires ABB's prior written consent

All rights conferred by the law of copyright and by virtue of international copyright conventions are reserved to ABB. Reproduction in whole or in part requires the prior written consent of ABB.

COPYRIGHT DRAWINGS
This document/drawing was prepared by or on behalf of ABB Transportation Pty. Limited and the copyright therein belongs to ABB

TOTAL MASS(kg)
1,2
ALL DIMENSIONS IN mm UNLESS OTHERWISE SPECIFIED.
SURFACE ROUGHNESS Ra VALUES IN μm .

DO NOT SCALE DRAWINGS, IF IN DOUBT ASK!
REMOVE ALL BURRS & SHARP EDGES



TRANSFER OF TECHNOLOGY
ISSUE
DATE 30 JUNE 1995

PART NUMBER	QTY	MASS PER ITEM (kgs)	SOURCE	ITEM DESIGN	DESCRIPTION	ITEM
116-00040-002	2	0,2			ANGLE	2
116-00040-001	2	0,4			ANGLE	1

Test Certificate		UNLESS OTHERWISE SPECIFIED, TOLERANCES ON ALL DIMENSIONS OF LENGTH & ANGLE TO BE TO SPEC. ES1002 PART 3 TOLERANCES MUST NOT BE CUMULATIVE	Drawn by P. Schulz	YY-MM-DD 950403	Checked B	3rd ANGLE PROJECTION	ABB ABB Transportation Pty. Limited A.C.N. 010 699 804	Customer Drg No TOT 245/7	
Test Result			Approved AL	Proj Eng	Cad File No.			Drawing Title FRAME - TOP CLAMPING-BELLOWS-TRACTION MOTOR INLET	ABB Drg No IA 116-00087
Material Certificate			IA III-OC023	875	Prod Eng	Weld Eng	Eng	N.C. Machine Program No.	Scale 1:2
Initial Sample Inspection Report			NEXT ASSEMBLY No	CONTRACT USED ON					Sheet 1 Of 1
TYPE OF TEST/REPORT	YES NO								

15	
14	
13	
12	
11	
10	
9	
8	
7	
6	
5	
4	
3	
2	
1	
0	ORIGINAL