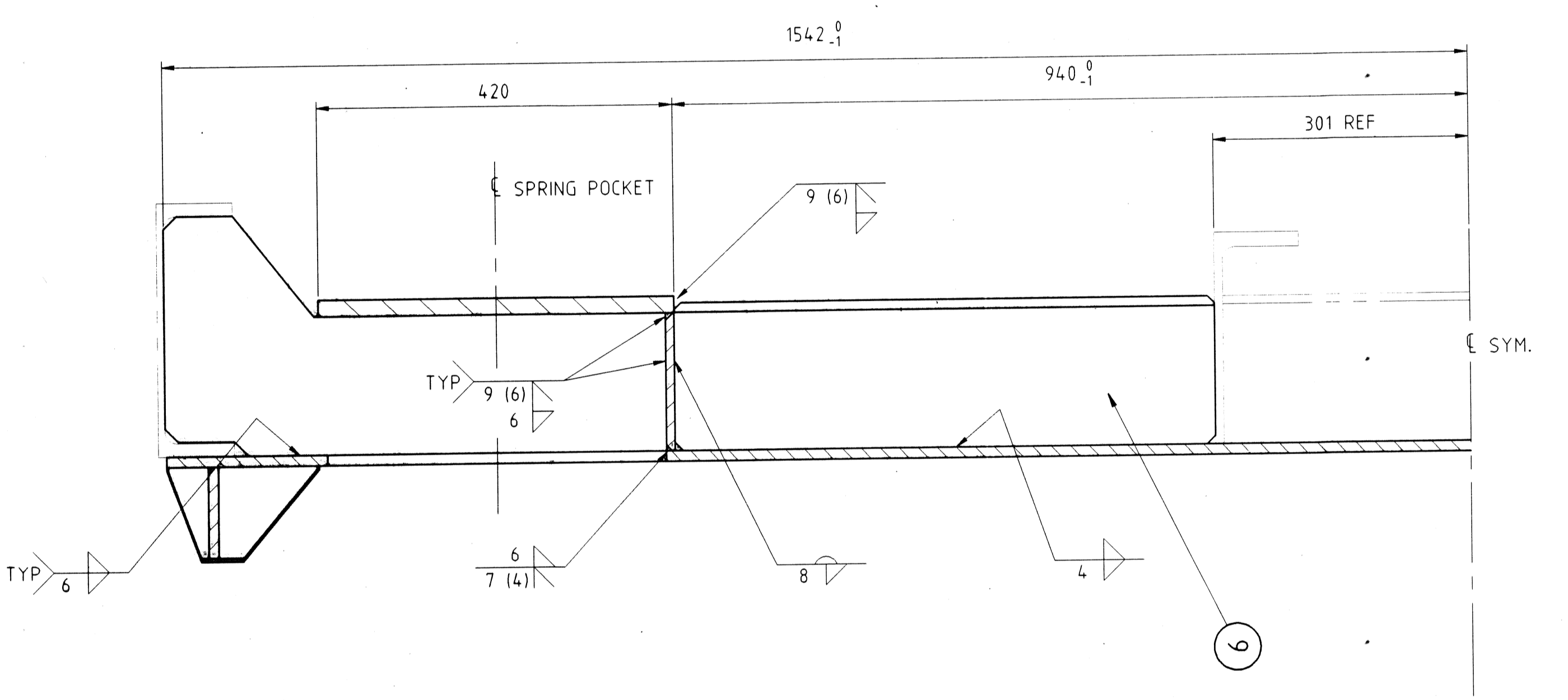
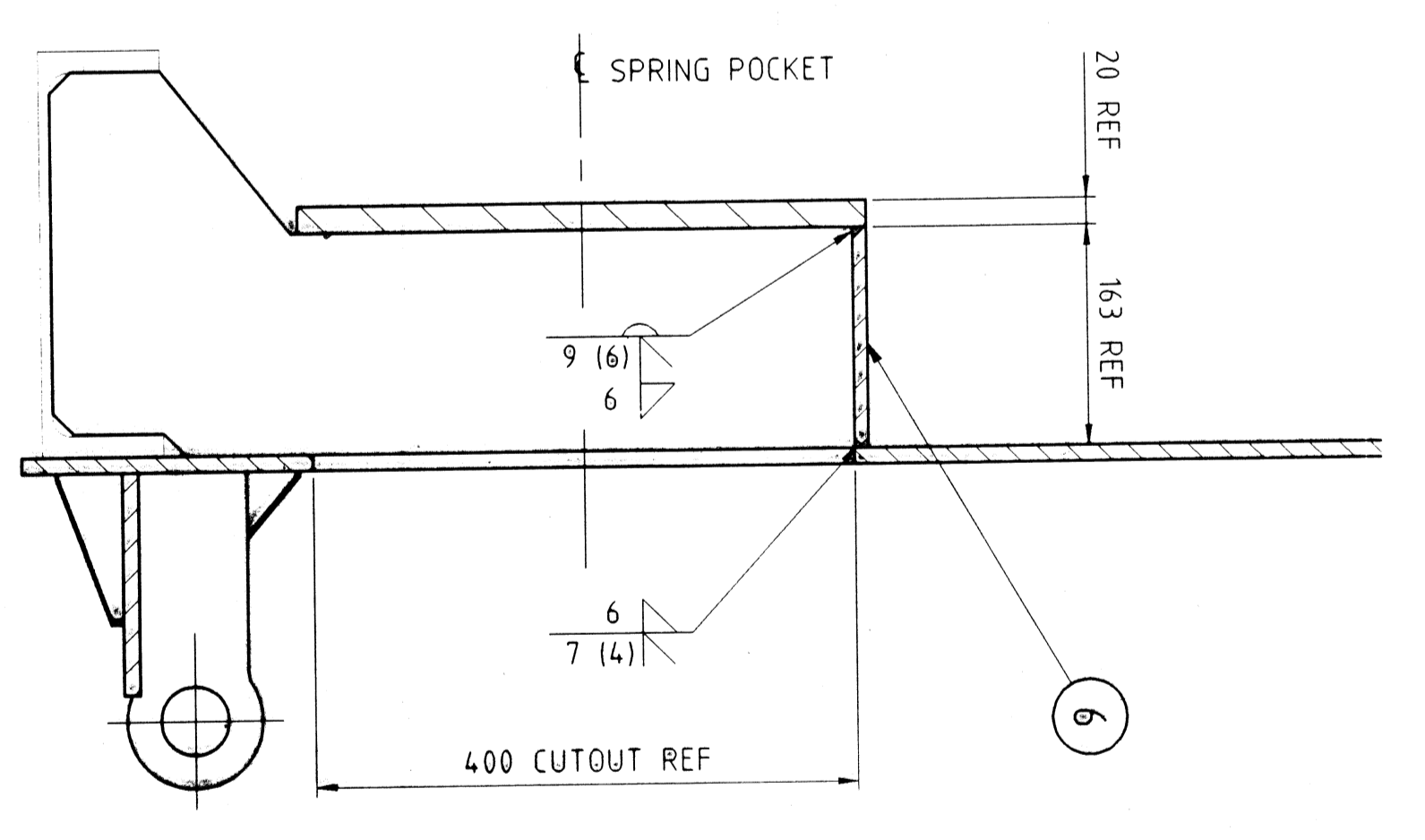


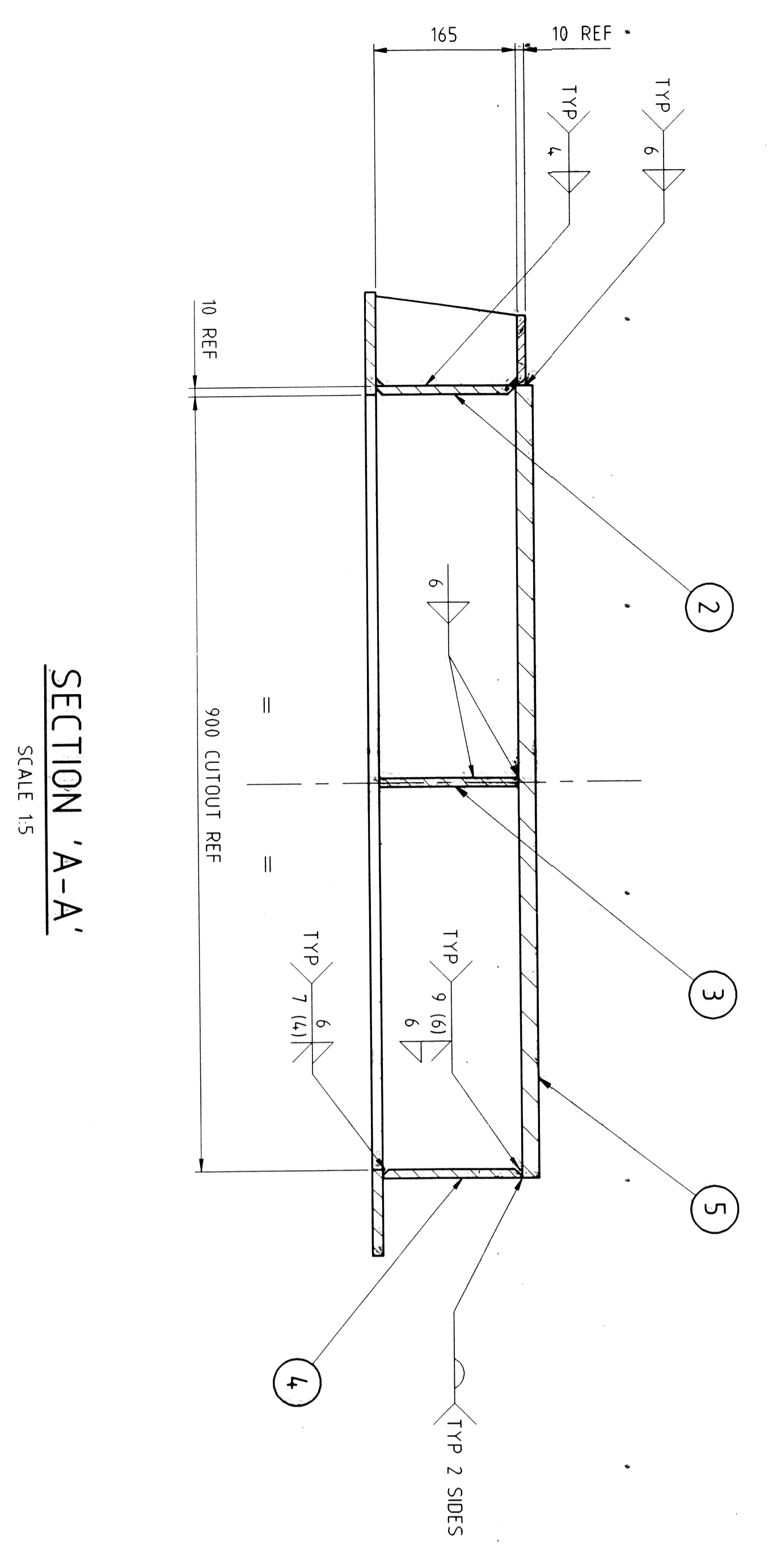
PLAN
 SCALE 1:10



SECTION 'B-B'
 SCALE 1:5



SECTION 'C-C'
 SCALE 1:5



SECTION 'A-A'
 SCALE 1:5

WELDING SHALL BE IN ACCORDANCE WITH ASSYS4.1-1991 SP

TRANSFER OF TECHNOLOGY
 ISSUE
 DATE 30 JUNE 1995

NO	REV	DESCRIPTION	DATE	BY	CHKD	APP'D
1		ORIGINAL ISSUE				
2		ERN 10095 CUTOUTS ADDED.	94-08-24	MLG		

NO	REV	DESCRIPTION	DATE	BY	CHKD	APP'D
1		ORIGINAL ISSUE				
2		ERN 10095 CUTOUTS ADDED.	94-08-24	MLG		

Copyright Drawings. All rights reserved by the law of copyright and by the virtue of international copyright convention. No part of this document may be reproduced, stored in a retrieval system, or transmitted in any form or by any means, electronic, mechanical, photocopying, recording, or by any information storage and retrieval system, without the prior written consent of ABB.