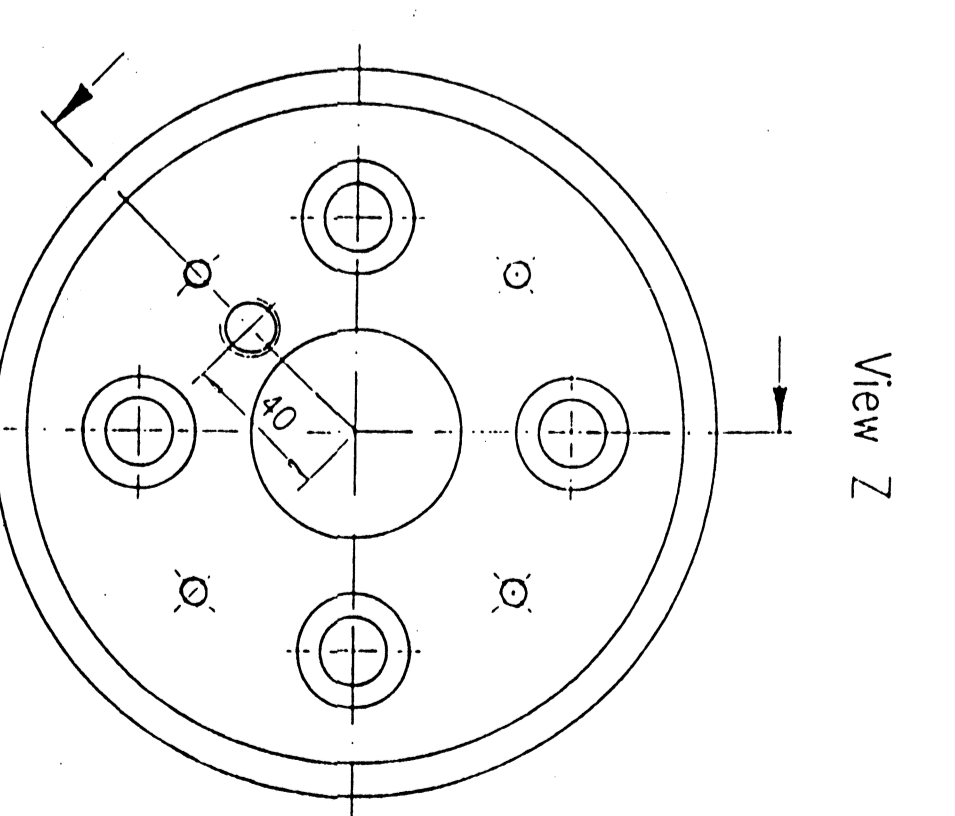
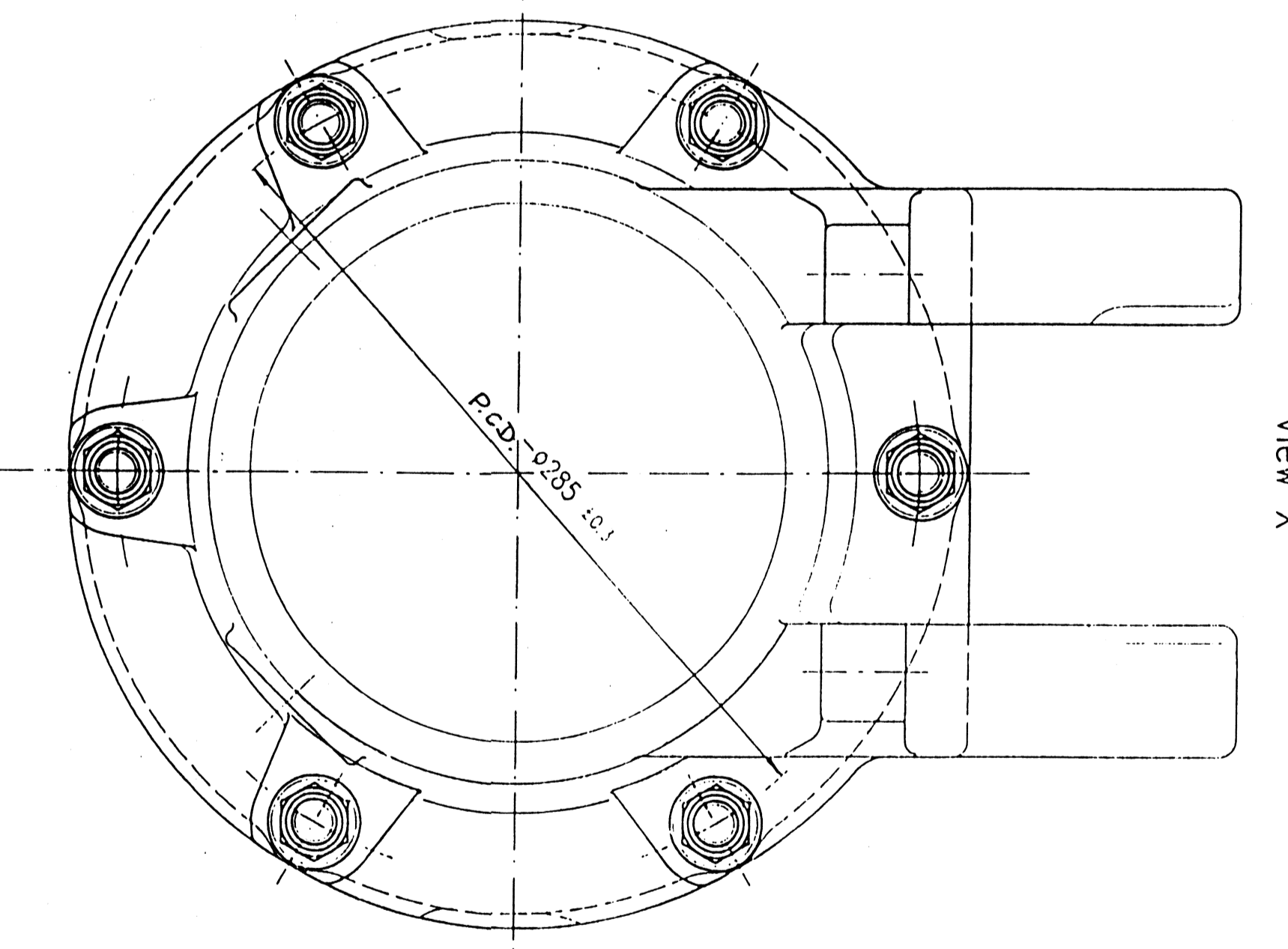
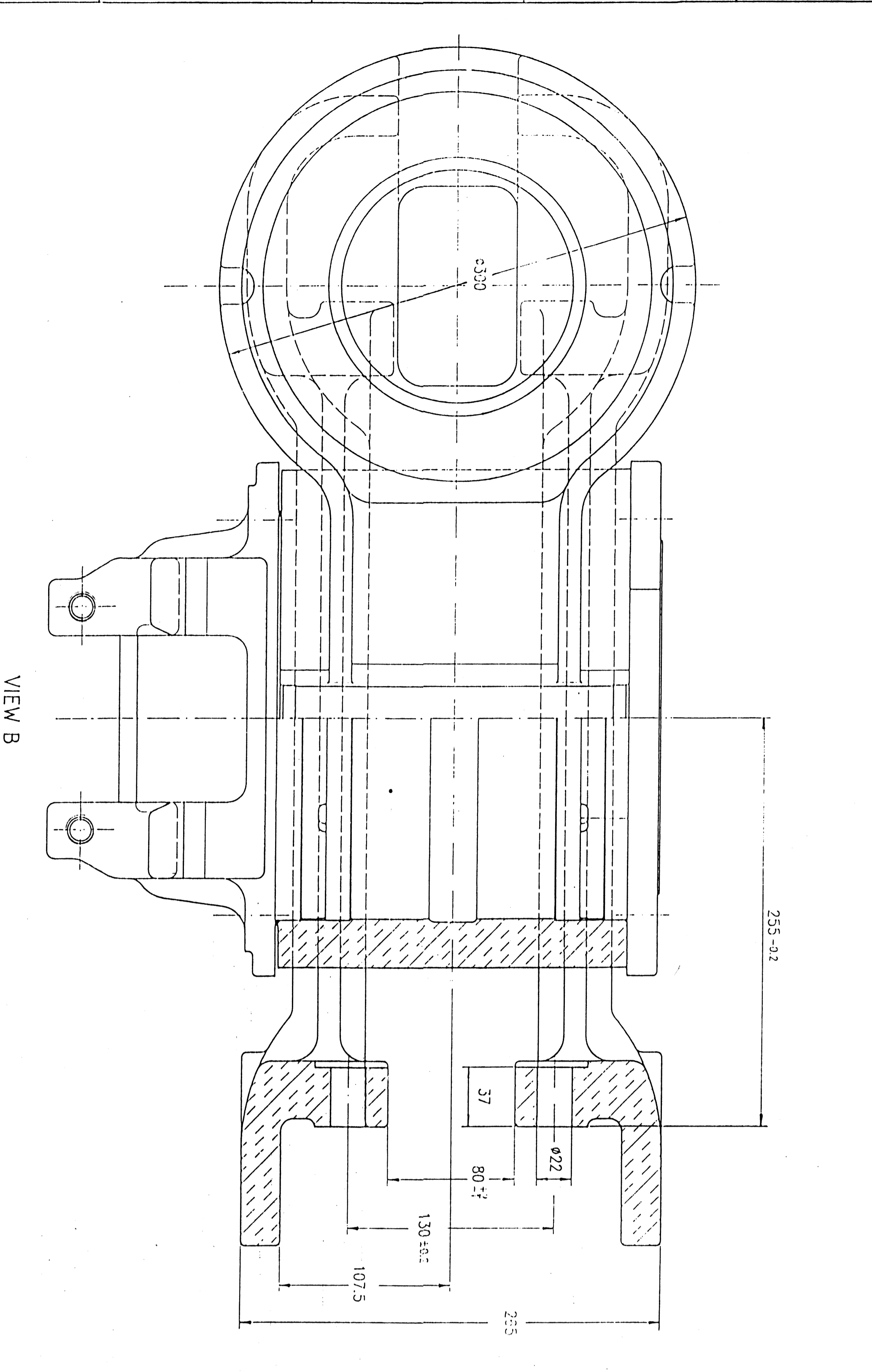
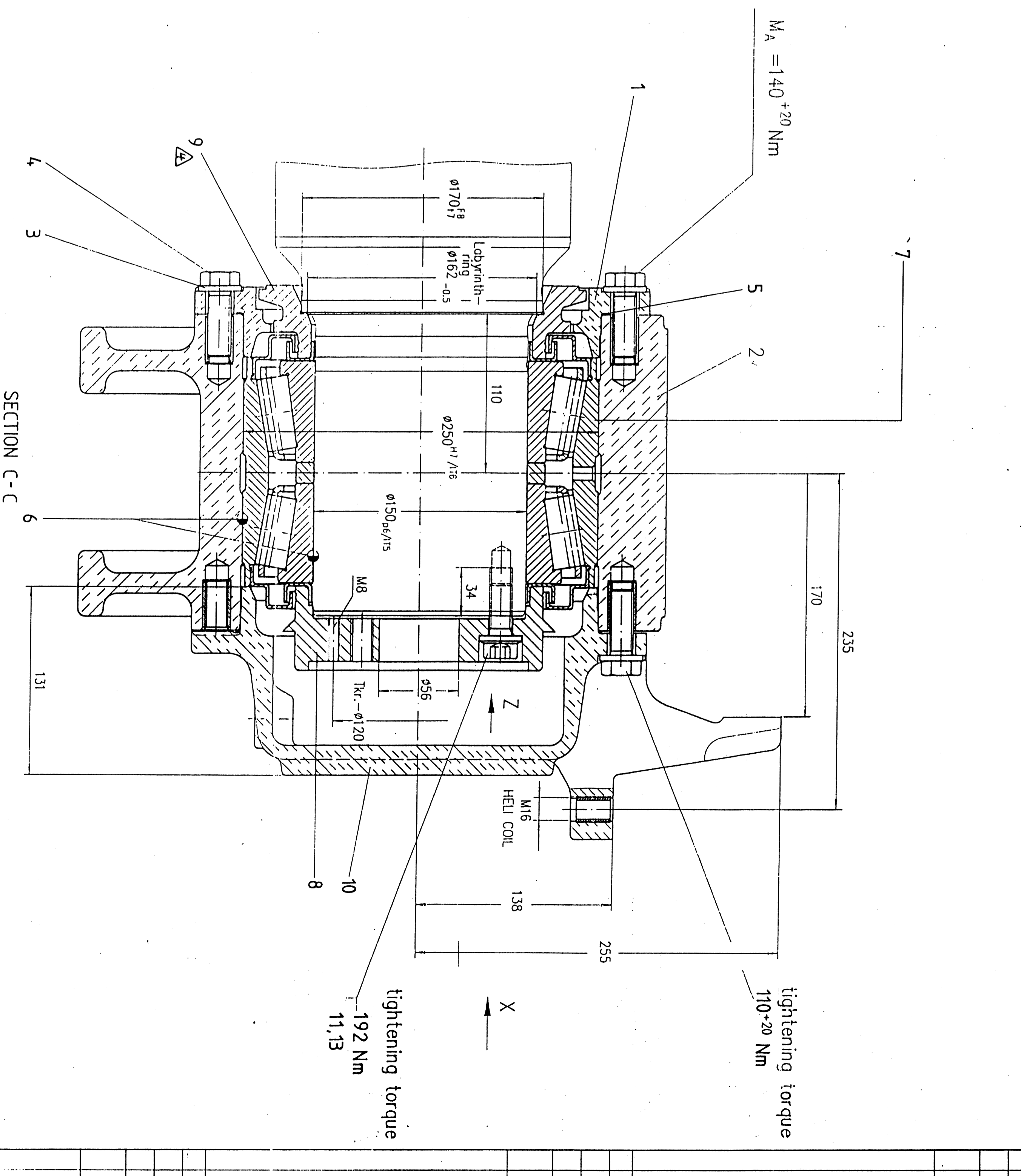
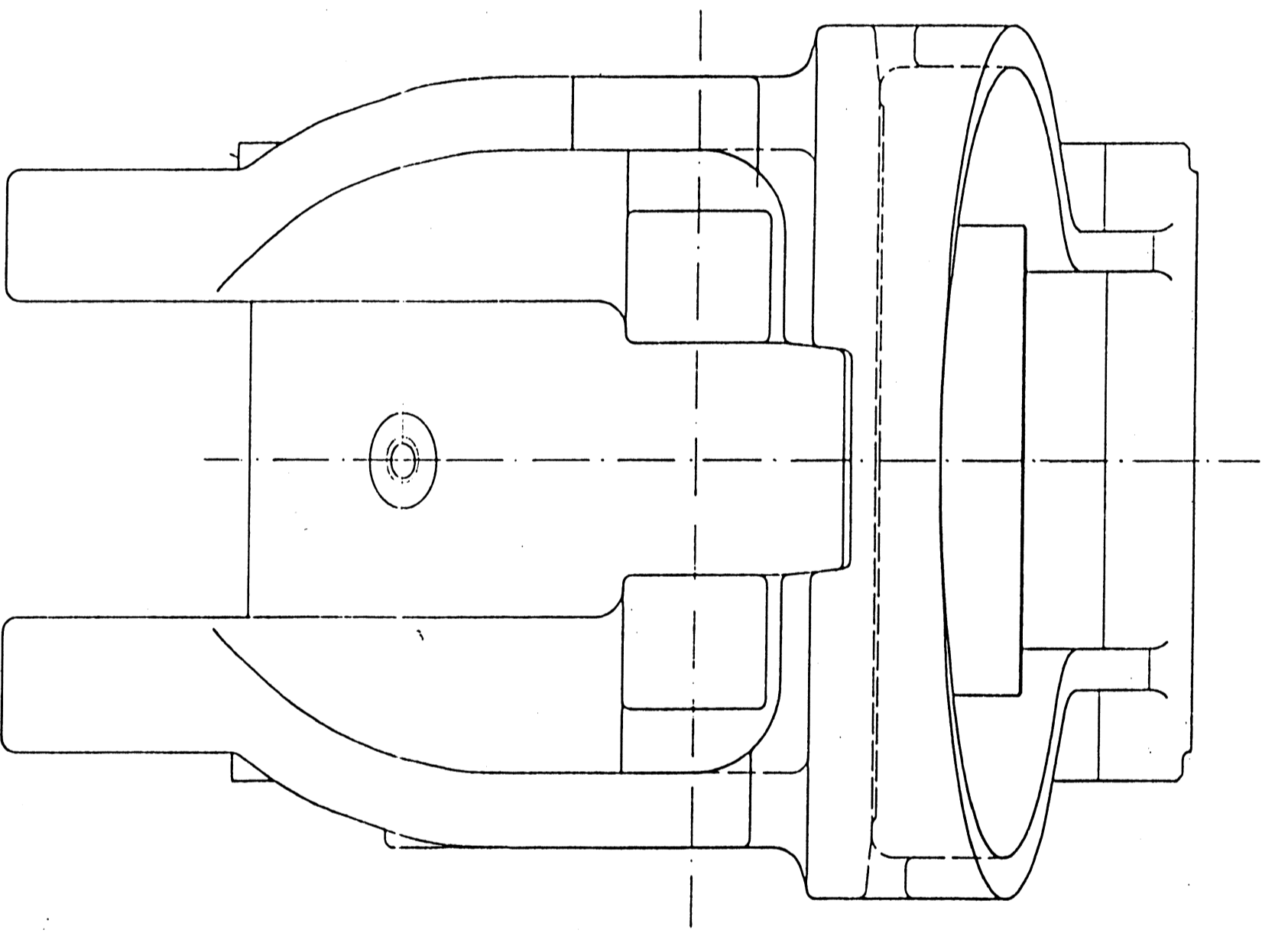
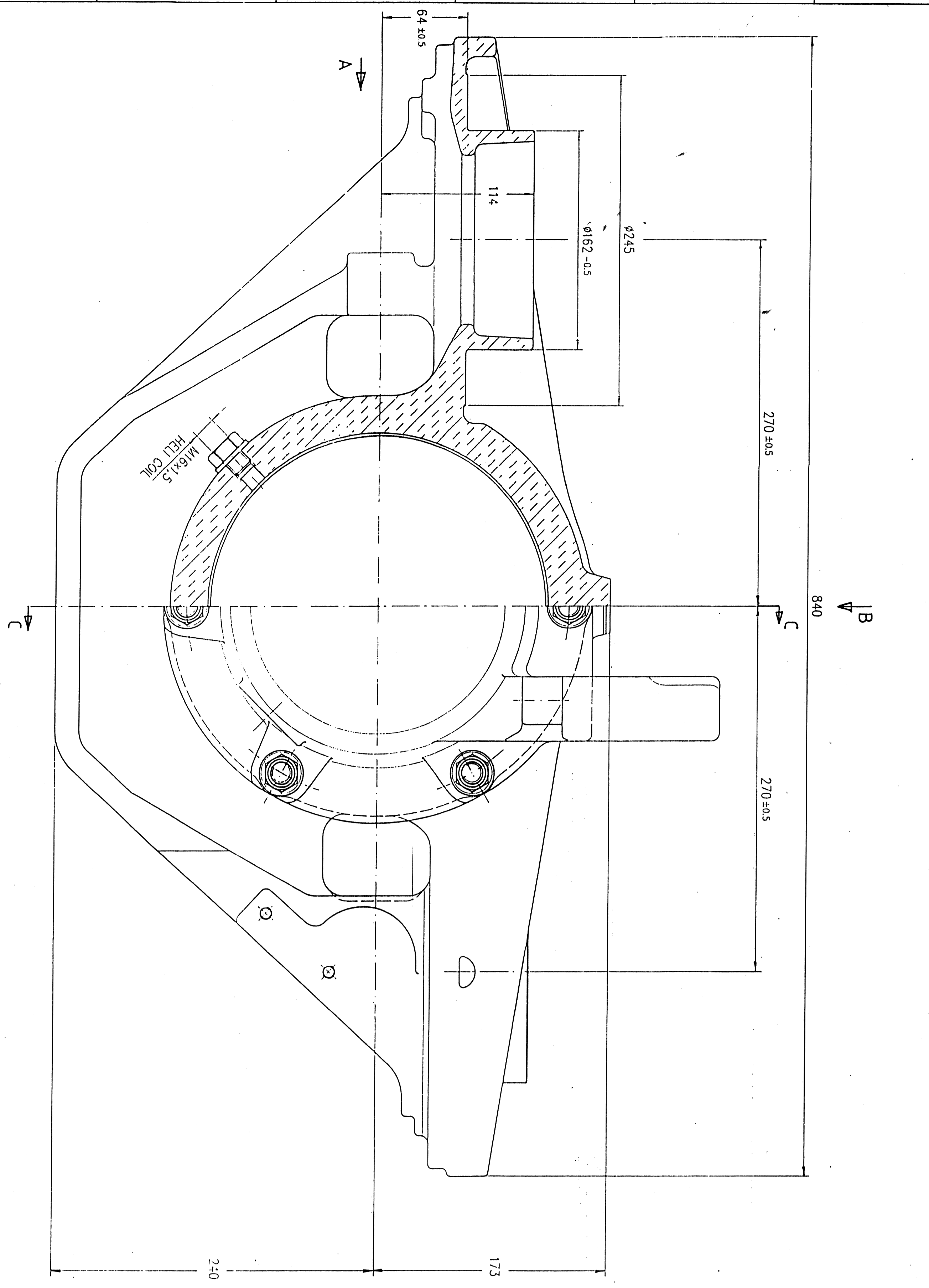


TOTAL MASSIVE ALL DIMENSIONS IN MM UNLESS OTHERWISE SPECIFIED. SURFACE FINISHES TO WALT IN J.M.



DO NOT SCALE DRAWINGS, IF IN DOUBT ASK. REMOVE ALL BURS & SHARP EDGES

COATING TO SPEC. 1040050/X
HA011-00131

HA011-00131

HA011-00131

HA011-00131

HA011-00131

HA011-00131

HA011-00131

HA011-00131

HA011-00131

HA011-00131

HA011-00131

HA011-00131

HA011-00131

HA011-00131

As rights conferred by the law of copyright and by virtue of international copyright conventions are reserved to ABB.

The drawing incorporates confidential information of ABB. Its disclosure to third parties also requires ABB's prior written consent.

As the drawing incorporates confidential information of ABB. Its disclosure to third parties also requires ABB's prior written consent.

As the drawing incorporates confidential information of ABB. Its disclosure to third parties also requires ABB's prior written consent.

As the drawing incorporates confidential information of ABB. Its disclosure to third parties also requires ABB's prior written consent.

As the drawing incorporates confidential information of ABB. Its disclosure to third parties also requires ABB's prior written consent.

As the drawing incorporates confidential information of ABB. Its disclosure to third parties also requires ABB's prior written consent.

As the drawing incorporates confidential information of ABB. Its disclosure to third parties also requires ABB's prior written consent.

As the drawing incorporates confidential information of ABB. Its disclosure to third parties also requires ABB's prior written consent.

Rev.	Alteration	By	Date
30			
29			
28			
27			
26			
25			
24			
23			
22			
21			
20			
19			
18			
17			
16			
15			
14			
13			
12			
11			
10			
9			
8			
7			
6			
5			
4			
3			
2			
1			

HA011-00131

HA011-00131