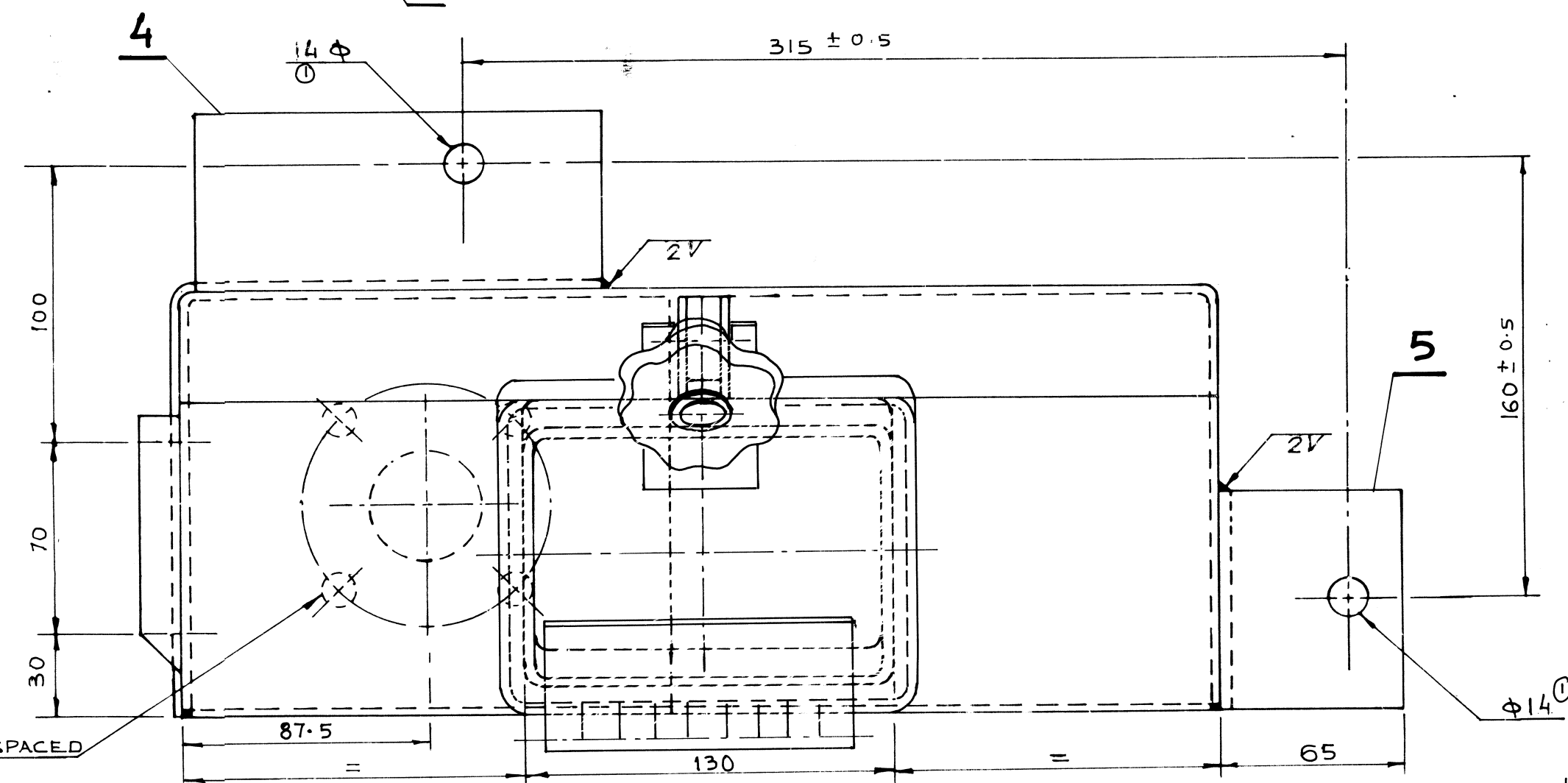


- NOTE :**
- SAND BOX ASSY - LEFT HAND, RIGHT HAND AND DUAL ASSY TO BE SUPPLIED IN A SET.
  - JIG & FIXTURES TO BE USED TO MAINTAIN THE GEOMETRY OF THE ASSEMBLY, HOLES ETC.
  - WELDS, SHARP EDGES, CORNERS TO BE GROUND & SMOOTH.
  - SAND BOX ASSY TO BE SUPPLIED AS A COMPLETE UNIT INCLUDING HARDWARE.
  - FOR OTHER TECH DETAILS REFER TECH SPECN NO. CLW/MS/10/038.
- \*① 6. REF. NO. 7 TO BE SUPPLIED LOOSE ALONG WITH ASSLY



②	DY. CEE CON/TU-1	MATL. SPECN. OF REF. NO. 4 & 5 WAS IRS M-41.	INITIAL/ DATED
ALT. NO.	AUTHY.	DESCRIPTION	INITIAL/ DATED

①	DY. CEE CON/TU-1	HOLE DIA. 14 WAS Φ12. REF. NO. 7, NOTE G & E PART DRG NO. OF REF. NO. 3 & 6 ADDED.	INITIAL/ DATED
---	---------------------	--	----------------

WELDING SYMBOLS TO IS : 813	
GRADE NUMBER	W1 W2 W3 W4 W5 W6 W7 W8 W9 W10 W11 W12
RA11mm	0.02 0.05 0.1 0.2 0.4 0.8 1.6 3.2 6.3 12.5 25 50
Fig. SYMBOL	▽▽▽▽▽▽▽▽▽▽▽▽▽▽▽▽

ITEM NO.	REF. NO.	PART DRG. NO.	QTY	UNIT	WEIGHT	REMARKS
8	1210-07	358-020	4	-	0.12	
7	1210-07	438-011	2	-	0.07	
6	1210-07	438-022	2	"	1.67	ASTM-A 240 Gr. 304
5	1210-07	238-023	2	"	0.35	ASTM-A 240 Gr. 304
4	1210-07	338-013	2	-	0.35	
3	1210-07	338-025	2	-	2.9	ASTM-A 240 Gr. 304
2	1210-07	338-024	2	-	6.18	STAINLESS STEEL ASTM-A 240 Gr. 304
1	1210-07	338-024	2	-	12.2	

**SAND BOX ASSEMBLY**  
L.H.

अभियंता केन्द्र  
CENTRE FOR D & D  
वितरण रेल इंजन कारखाना  
CHITTARANJAN LOCOMOTIVE WORKS  
संस्करण  
CAD NO.  
1st ANGLE PROJECTION  
WAP-5  
आरेखन संख्या DRAWING NO.  
1210-07.138-003  
ALT. (2)