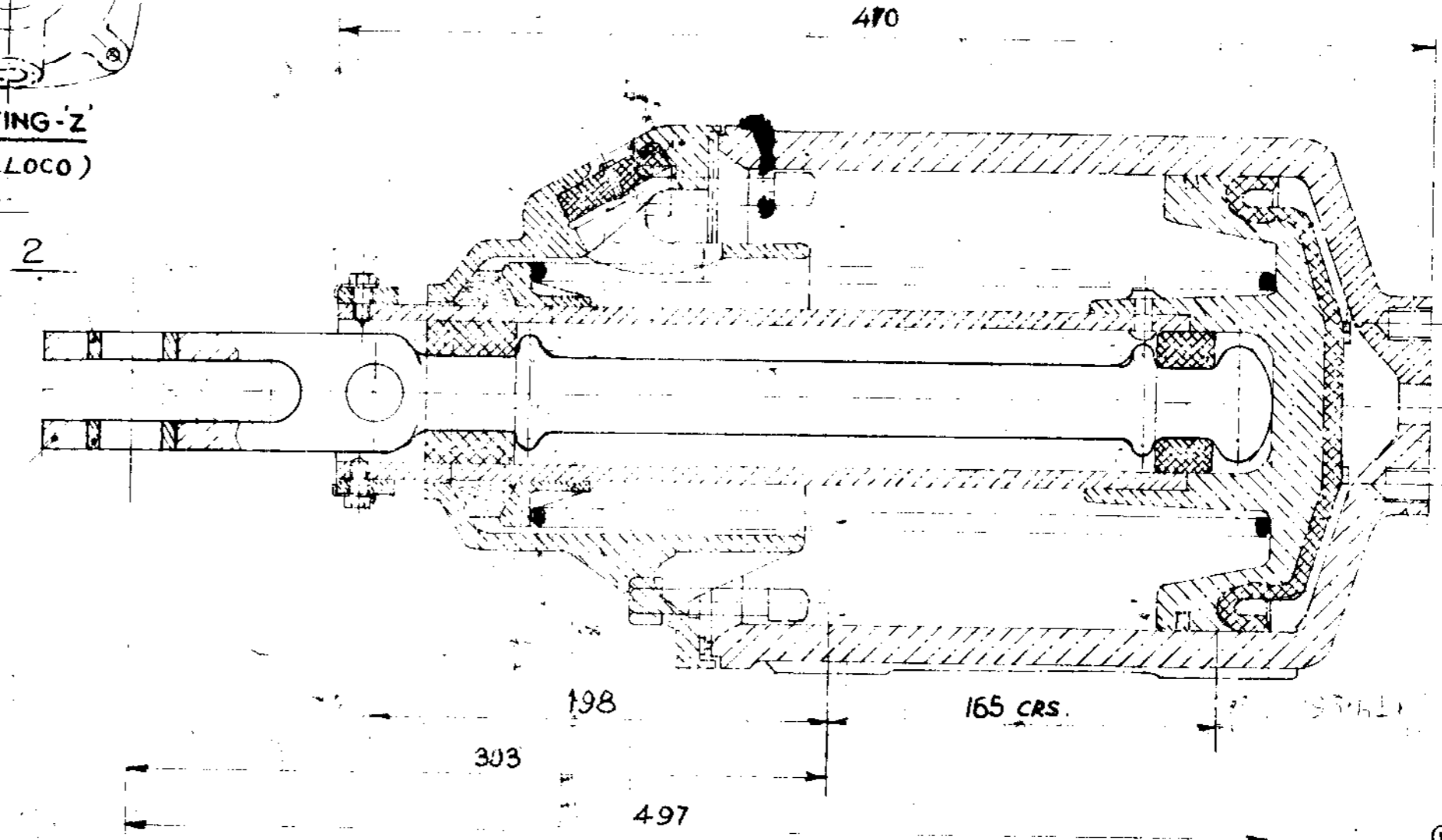


MOUNTING-X
(6-PER LOCO)

MOUNTING-Z
(6-PER LOCO)



| REV | AMEND | DESCRIPTION |
|-----|--------|--|
| 1 | SME(D) | ALTERNATIVE MTL ADDED. SPECN FOR REF. 2 CORRECTED. |
| 2 | SME(D) | NOTE 2 ADDED. |

NOTE :-
 1. REFER DRG. NO. 01/3/19/56 FOR AIR BRAKE CYLINDER AND OTHER DETAILS.
 2. ALL RUBBER COMPONENTS SHOULD CONFORM TO RUBBER SPECN NO. IRS-48-BB/WABCO'S RUBBER SPECN. AND SUPPLY OF THE RUBBER COMPONENTS SHOULD BE FROM R.D.S.O.'S APPROVED SOURCES.

① ALTERNATIVE MTL OF REF. 2
 IRS M4-CL.IV

Assly C&D No.
 R232/003

| SURFACE ROUGHNESS VALUE TO IS : 3078 | GRADE NUMBER | | | | | | | | | | | |
|--------------------------------------|--------------|------|-----|-----|-----|-----|-----|-----|-----|------|-----|-----|
| | N1 | N2 | N3 | N4 | N5 | N6 | N7 | N8 | N9 | N10 | N11 | N12 |
| Re μm | 0.025 | 0.05 | 0.1 | 0.2 | 0.4 | 0.8 | 1.6 | 3.2 | 6.3 | 12.5 | 25 | 50 |
| SYMBOL | VVV | | | VV | | | V | | ∇ | | | |

| REV | C&D NO. | DATE | DESCRIPTION | QTY | MATL | SPECN. |
|------------------------------|---------|-----------|---------------------------|-----|--------------------------------|--------------------|
| 2 | | 03/3/19/1 | BUSH FOR PUSH ROD | 24 | STEEL | IS: 2073 02E-19 |
| 1 | | 03/3/19/1 | PUSH ROD | 12 | STEEL | IS: 1815 CL-2 |
| CHECKED | | | RDSO'S DRG. NO. | | CHITTARANJAN LOCOMOTIVE WORKS. | |
| SUPDT. | | | 29.08.13 | | USED FOR LOCOS | |
| DRAWN (D) | | | AIR BRAKE CYLINDER ASSLY. | | F. RAM/4R (FLEXI-COIL) | |
| APPROVAL R.EE NO. | | | DRAWING NO. | | 03/3/19/1 | |
| RDSO LETT. No. | | | ALT. 1 | | | |
| EQ. DEV. L. 40. DT. 21.12.78 | | | | | | |