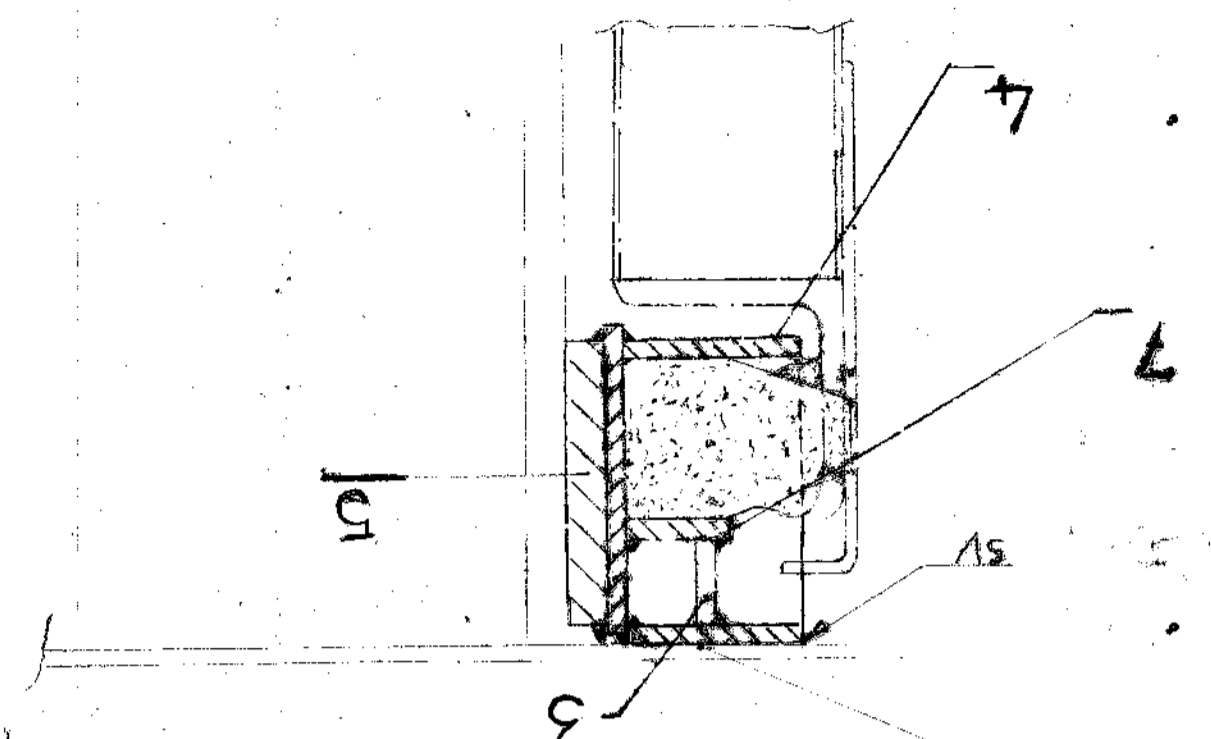
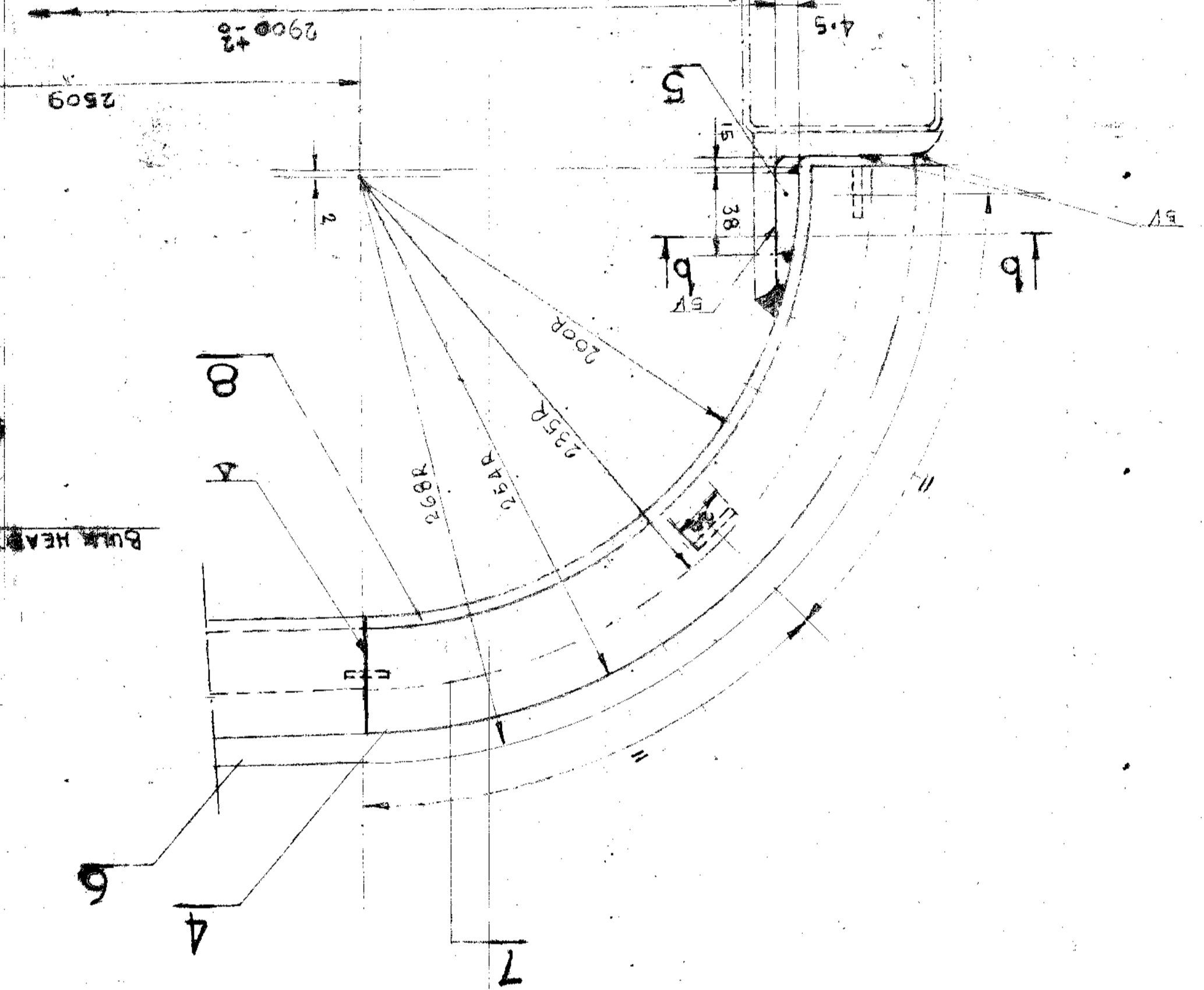


① S.W.D.

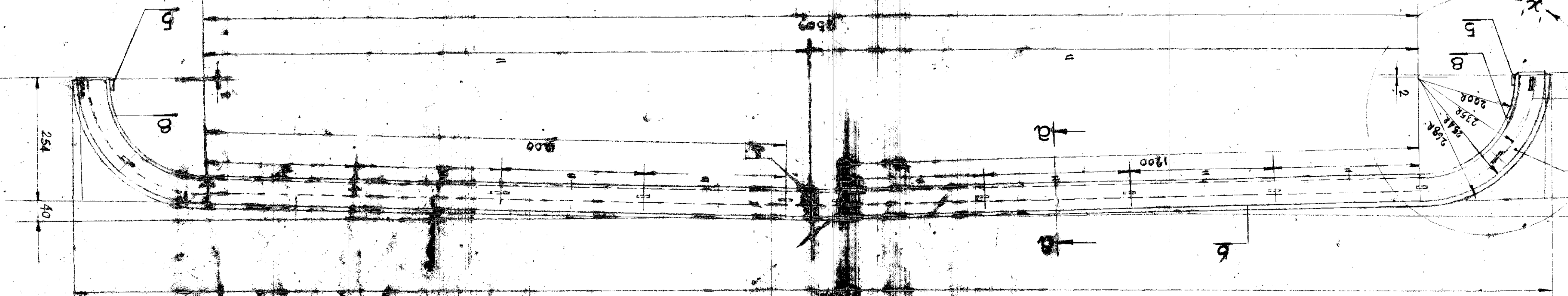
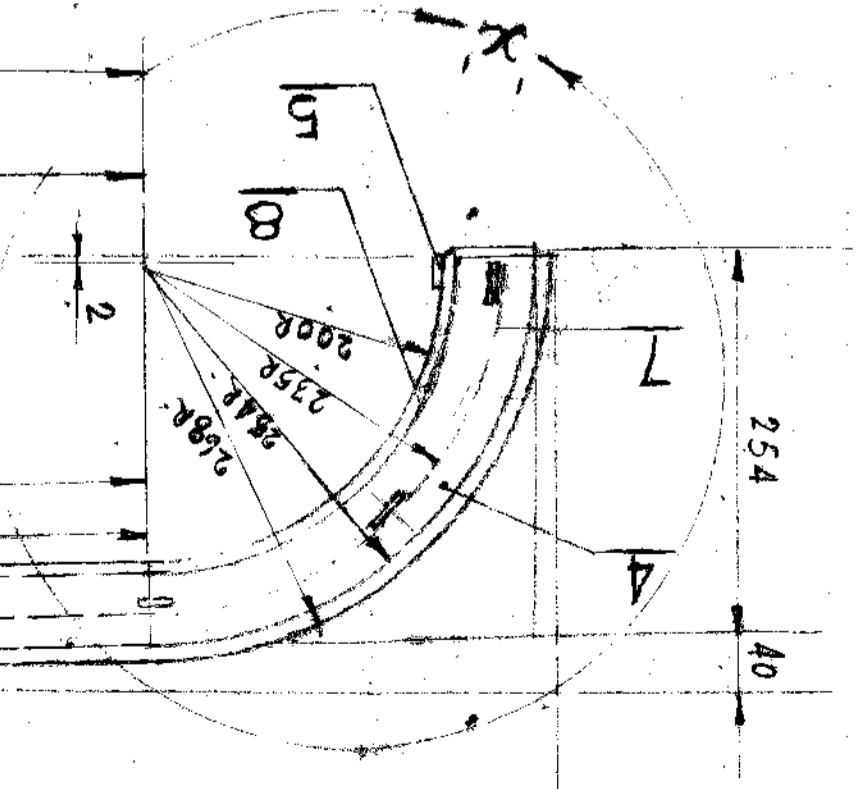
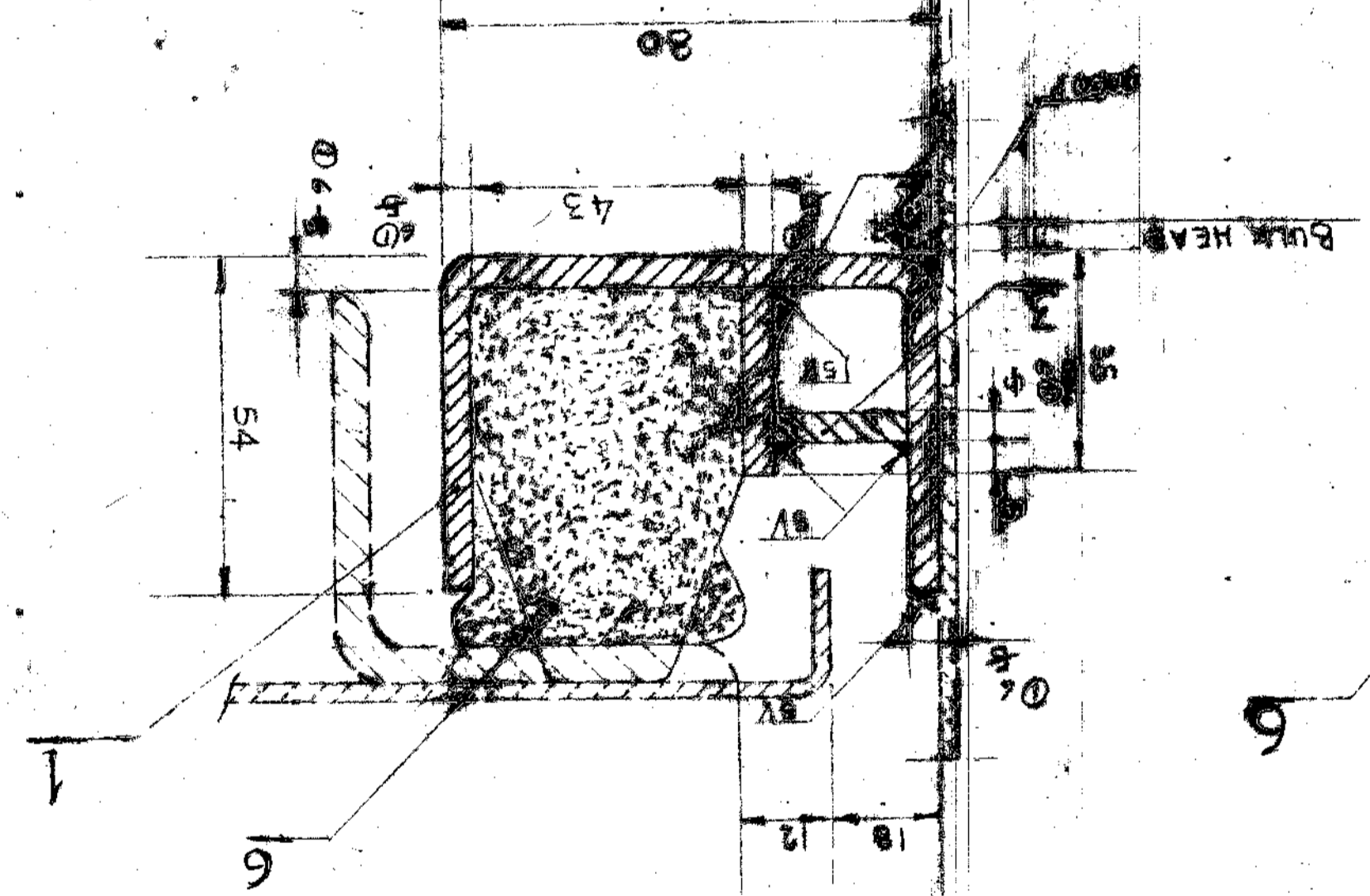
SECTION b-b



ENLARGED VIEW-X



SECTION a-a



NOTES:
1. USE SUBSTITUTES FOR NO. 1/2 IN 1/4
2. USE NO. 1/2 IN 1/4 IN 1/2