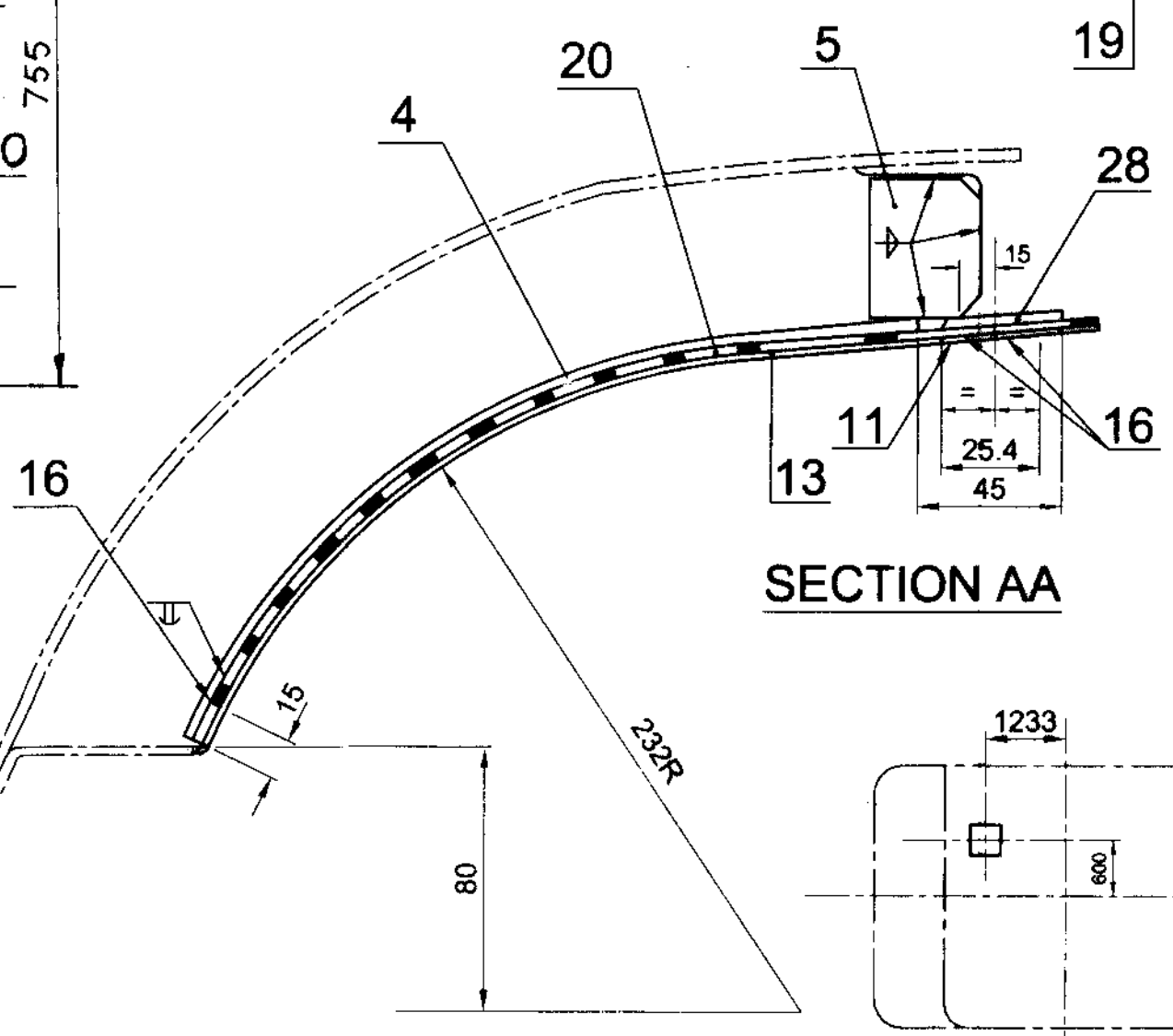
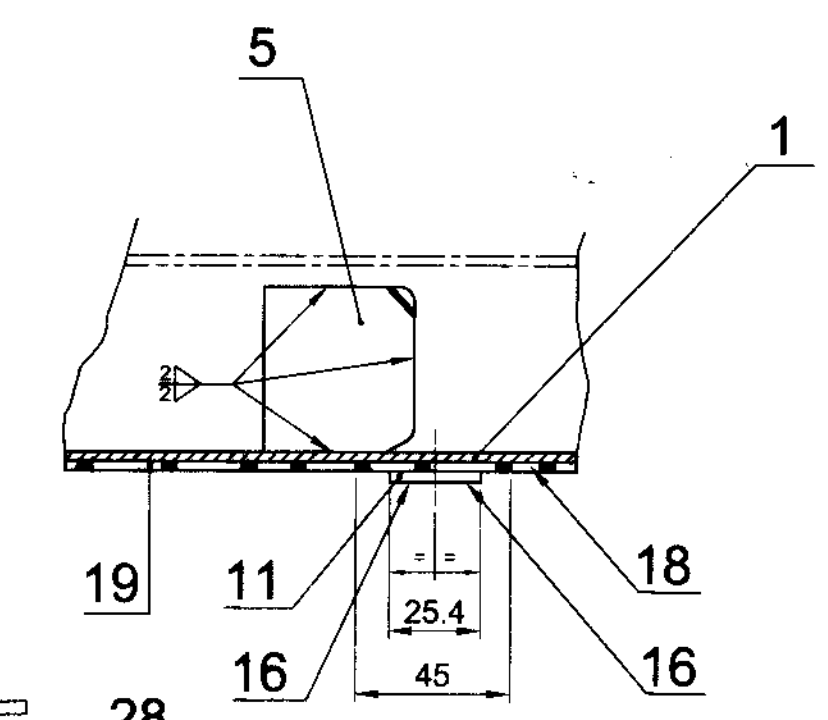
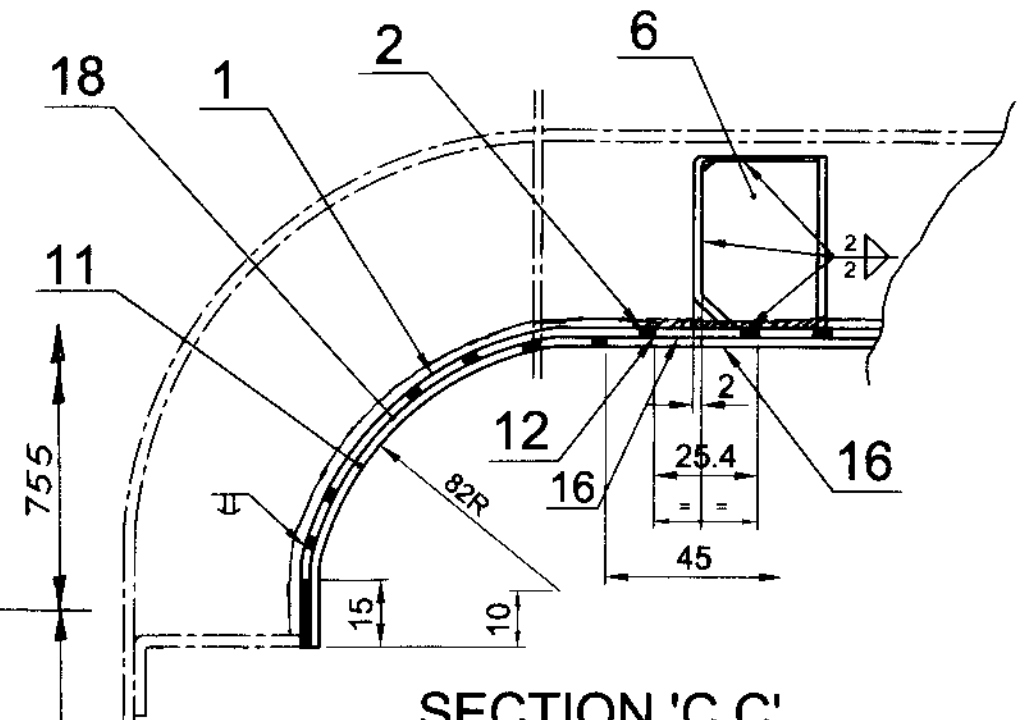
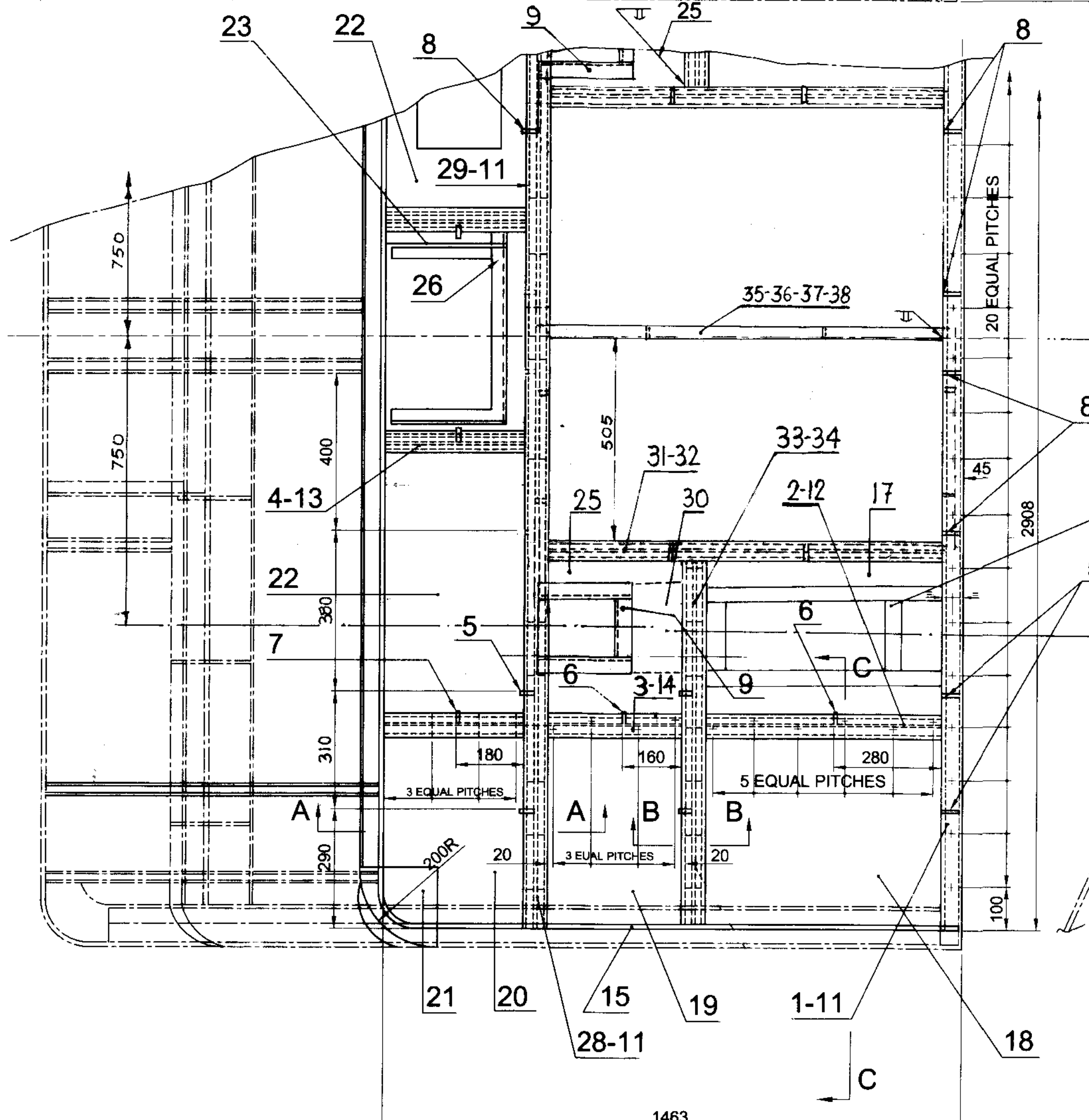


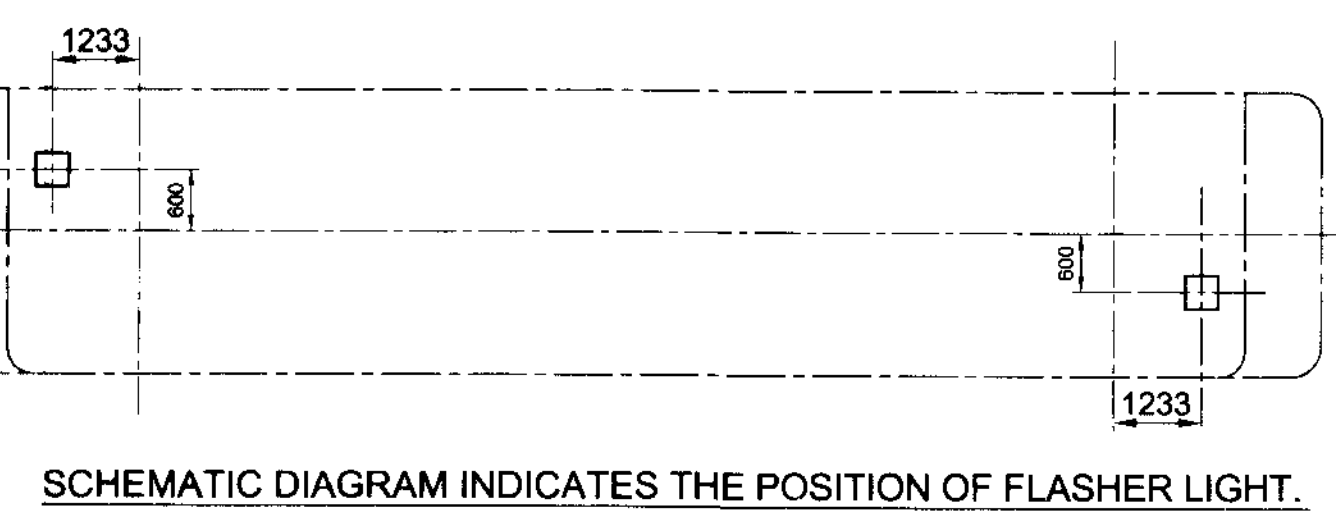
ASSLY. C & D. NO. FOR WAP/4 LOCOS
(CREW FRIENDLY)

ASSLY. C & D. NO. FOR WAG/7 LOCOS
(CREW FRIENDLY)



NOTE

- THIS DRG. IS TO BE FOLLOWED FOR A/C LOCO ONLY.
- PANEL SHEETS OF REF. NO. 17 TO 25 TO BE MANUFACTURED OUT OF 0.6 MM. THICK ALUMINIUM PERFORATED SHEET TO IS: 737-1986, DESIGNATION 31000 H2 AND BEADINGS REF. NO. II TO 15 TO BE MANUFACTURED OUT OF ALUMINIUM FLAT TO M/S. INDALS SECTION NO. 5505 OR ANY OTHER SIMILAR SECTION IN LIEU OF EXISTING MATERIALS.



38	-	SUPPORT STRIP 140 X 22 X 4 THK.	16	STEEL	IRS-M41
37	-	BEADING 503 X 30 X 4 THK.	4	STEEL	IRS-M41
36	-	BEADING 1000 X 22 X 4 THK.	2	STEEL	IRS-M41
35	-	BEADING 1000 X 30 X 4 THK.	2	STEEL	IRS-M41
34	03/4/35/116(A/C)	BEADING	2-L.H.	ALUMINIUM	
33	03/4/35/97(A/C)	SUPPORT STRIP	2-L.H.	STEEL	
32	-	BEADING 3-18 X 25-4 X 9-65 LA.	4	ALUMINIUM	
31	-	SUPPORT STRIP 3-15 X 45 X 10-10 LA.	4	STEEL	IRS-M41
635	R349/673	SUPPORT PLATE 100 X 130 X 2 THK.	4	STEEL	IRS-M41
634	R349/672	SUPPORT STRIP	2	STEEL	
633	R349/671	SUPPORT STRIP	2	STEEL	
625	R349/514	COVER PLATE FOR HEAD LIGHT ASSLY.	2	"	
620	R349/666	SUPPORT ANGLE ASSLY.	2	"	
26	03/4/35/378 (A/C)	PERFORATED PANEL SHEET	4	"	
24					
23	03/4/35/277 (A/C) REF-2	PERFORATED PANEL SHEET	2	"	
22	03/4/35/277 (A/C) REF-1	"	4	"	
615	R349/475	"	4	"	
20	03/4/35/275	"	2 LH 2 RH	"	
19	03/4/35/274	"	4	"	
612	R349/472	"	4	"	
17	03/4/35/272 (A/C)	PERFORATED PANEL SHEET	2	"	
610	R349/664	SELF TAPPING SCREW RAISED HD. NO. 10x1549	540	STEEL	8-717
609	R349/663	BEADING 275 X 25-4 X 3-18 THK.	4	"	
608	R349/662	BEADING 350 X 25-4 X 3-18 THK.	4	"	
13	03/4/35/374 (A/C)	BEADING 485 X 25-4 X 3-18 THK.	8	"	
606	R349/660	BEADING 608 X 25-4 X 3-18 THK.	4	"	
11	03/4/35/373 (A/C)	BEADING 1520 X 25-4 X 3-18 THK.	4	ALUMINIUM	
10	03/4/35/372 (A/C)	FLUORESCENT LAMP BRACKET ASSLY.	4	STEEL	
598	R349/652	SPOT LIGHT BRACKET ASSLY.	4	"	
597	R349/205	03/4/35/103	24	STEEL	
596	R349/204	03/4/35/102	8	"	
595	R349/203	03/4/35/101	16	"	
594	R349/202	03/4/35/100	24	"	
4	03/4/35/96(A/C)	SUPPORT STRIP 485 X 45 X 3-15 THK.	8	"	
593	R349/651	SUPPORT STRIP 330 X 45 X 3-15 THK.	4	"	IRS-M41
634/635	R349/650	SUPPORT STRIP 578 X 45 X 3-15 THK.	4	STEEL	IRS-M41
1	03/4/35/95(A/C)	SUPPORT STRIP 1520 X 45 X 3-15 THK.	4	STEEL	
634/635	R349/63	INNER PANELING ARRGT. OF CAB 1 & 2	2	"	

DRAWN: [Signature]

CKD BY: [Signature]

S/ELDO (M): [Signature]

SME(D): [Signature]

DY CEE (D): [Signature]

DATE: 20-11-16

SCALE: N.T.S.

APPROVAL REF. NO.:

REFERENCE DRG. NO. 03/1/35/351

INNER PANNELING ARRGT OF CAB - 1 & 2 FOR A.C. LOCOS

CHITTARANJAN LOCOMOTIVE WORKS

USED FOR LOCOS :- WAP-4, WAG-7

DRAWING NO. 03/1/35/351(A/C)

IS:3073													
SURFACE ROUGHNESS VALUE TO IS:3037	NUMBER	N ₁	N ₂	N ₃	N ₄	N ₅	N ₆	N ₇	N ₈	N ₉	N ₁₀	N ₁₁	N ₁₂
	Ra	0.25	0.05	0.1	0.2	0.4	0.8	1.6	3.2	6.3	12.5	25	50
	SYMBOL	[Symbol]		[Symbol]		[Symbol]		[Symbol]		[Symbol]		[Symbol]	
	ALT. NO.	AUTHY											
	DESCRIPTION	REF. NO. 35 TO 38 ADDED.											
	DATED INITIAL	[Signature]											